

Sioux Chief

»» MANUFACTURING SINCE 1957





- Family owned – Founded in 1957, Sioux Chief has been in business in the Kansas City area for over 60 years
- Sioux Chief employs over 700 people
- 660,000 square feet of office space, distribution center, and manufacturing facility expansion in Kansas City, MO in 2017
- Copper fabrication, PEX & vinyl tubing extrusion and special packaging remain in our 370,000 sf facility in Peculiar, Missouri
- Over 1 Million square feet of manufacturing capacity

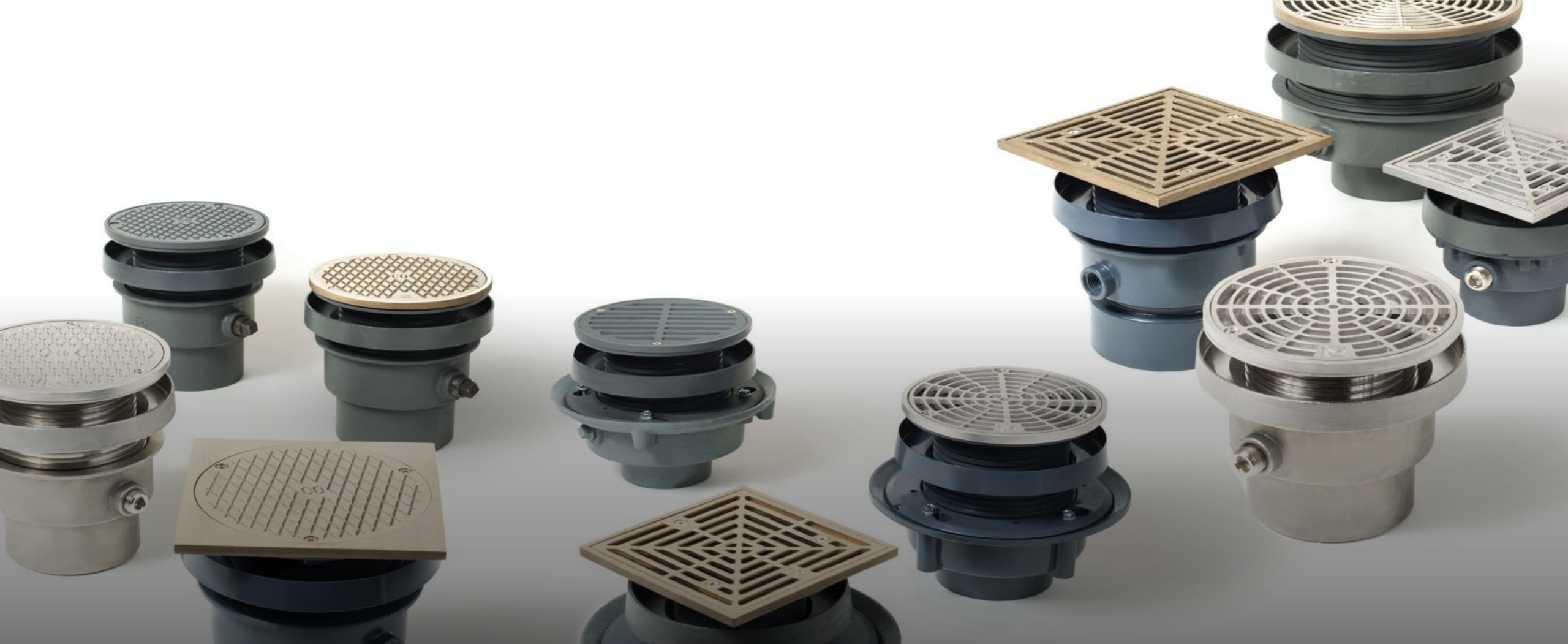




- **PRODUCTS THAT SIOUX CHIEF
MANUFACTURES:**

Water hammer arresters, pre-formed copper rough-plumbing fittings, Floor Sinks, Brackets & Supports, Floor Drains & Cleanouts, PEX Tubing & Fitting Systems, Full line Commercial Drainage Offering, Trap Primers, Closet Flanges, Access Boxes, Backwater Valves, Roof Drains, Trench Drains, P-Traps, Linear Shower Drains, Shower Drains, Air Admittance Valves, Closet Bolts, Tubular Specialty items, and more.

The Following Pages Highlight
Sioux Chief's Most Popular Engineer
Specified Products.



COMMERCIAL FLOOR DRAINS & CLEANOUTS





DECK DRAINS & DECK CLEANOUTS





CAST IRON & PLASTIC FLOOR SINKS

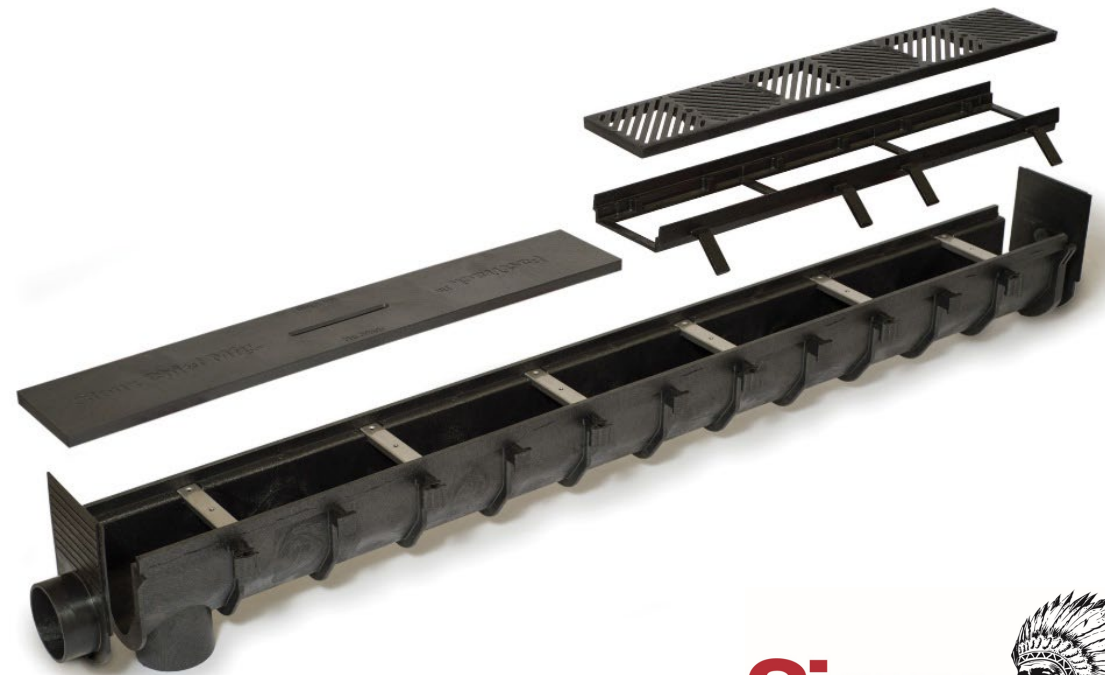
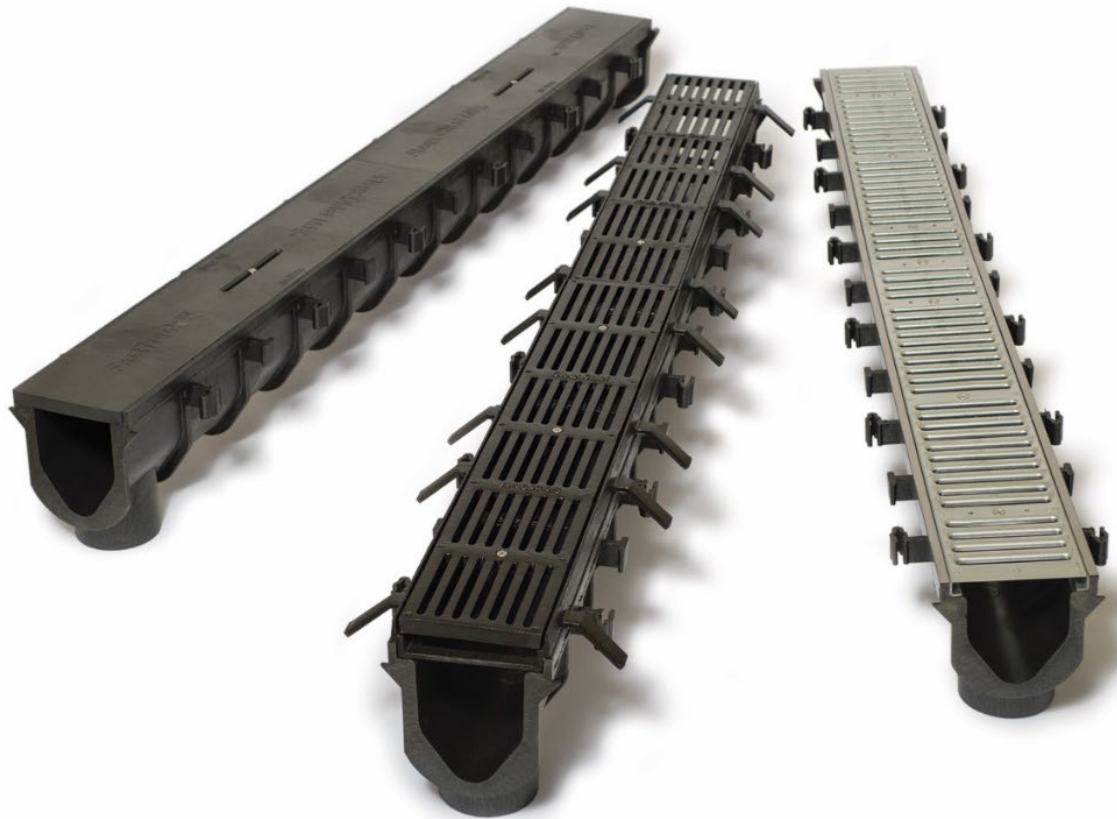




ROOF DRAINS



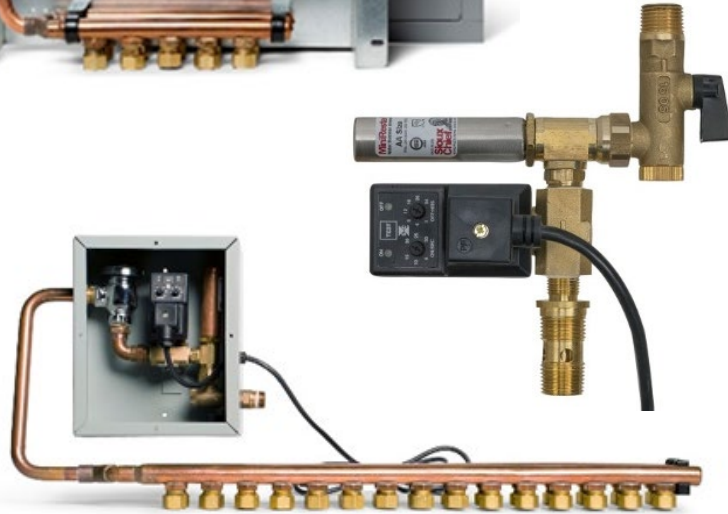
COMMERCIAL TRENCH DRAINS



Water Hammer Arresters



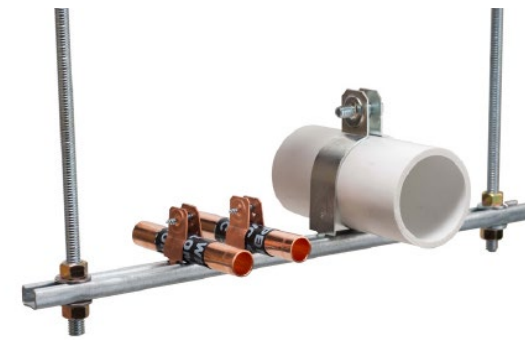
Trap Primer Devices





OUTLET BOXES





Commercial Hangers & Supports

GLOBAL SOURCING ?

ZURN

*American
Standard*

ACSmith.



WADE

KOHLER

Oatey



**There are nearly 7,000 items in the Sioux Chief Line.
Over 90% of them are proudly made in the USA.**

FinishLine™

Adjustable Drainage System

Solving Problems in Design, NOT in the Field



The Challenge:

Ensure the installation of floor drains and cleanouts that are perfectly level with the finish floor every time, and provide the client with a perfect finish.

Question:

Why does this need to be specified?

Why aren't fixtures *always* set properly, free from damage, and flush with the finished floor?

Common Issue: Low and Tilted Fixtures

Since the finish floor elevation is not apparent when drains are installed , fixtures that are set too low or tilted are a common occurrence



Common Issue: Strainer Tops that are Dished or Damaged During Construction

Scissor lifts, jobsite machinery, and other heavy equipment often dish or damage drains that are often only rated for pedestrian traffic



Common Issue: Stained, and polished concrete finishes are very popular

Although very popular, these poured concrete finishes require drains to be set perfectly. Contractors often box out these installations to assure strainer tops are level with the final floor. Unfortunately, boxing out on a stained or polished concrete finish produces an unsightly look.



Potential Issue: Clogged Lines

Open, unprotected drains allow construction debris to collect and clog drain lines



Potential Issue: Finished Flooring Change Orders

Clients change their selection of flooring style after fixtures are poured in – e.g. tile to stained concrete. This typically results in fixtures needing to be reset, a labor intensive and expensive proposition.



Typical Floor Drains & Cleanouts MUST be Protected During the Concrete Pour & Throughout Construction

Contractors regularly tell us that one of their top punch-list items is drains/cleanouts that are not level, tilted, or that have been dished out and damaged during construction



Question:

What can the Engineer do to completely eliminate these issues, and provide their client with floor drains and cleanouts that are perfectly level to the finished floor, and look brand new and perfect every time?

The Specification:

All floor drains and cleanouts shall be protected during construction, adjustable after the concrete pour, and level with the finished floor

FinishLine™

Specifying the FinishLine Drainage system addresses common installation issues in the design phase by allowing contractors to:



- 1. Protect Finish Fixtures from Construction Damage**
- 2. Drains & Cleanouts EASILY Adjust AFTER the POUR**
- 3. Tilted Drains & Cleanouts can EASILY be releveled AFTER the POUR**

How Does Finish Line Differ from other Commercial Drains?



Typical commercial drain/cleanout



Finish Fixture

Coring Plug

Coring Sleeve

Base Adapter






FinishLine™

Keeping strainers off the jobsite until the final flooring is installed assures that the finished job gets brand new perfect strainer tops every time:





Installed in 2014
Picture Taken Feb. 2020
Still looks perfect after 5-6 years
1900 Building – Office & Event Space
Mission Woods, KS (Kansas City Metro Area)



**Installed in 2014
Picture Taken Feb. 2020
Still looks perfect after 5-6 years
1900 Building – Office & Event Space
Mission Woods, KS (Kansas City Metro Area)**



FinishLine™

Adjustable Drainage System





DECK DRAINS & DECK CLEANOUTS



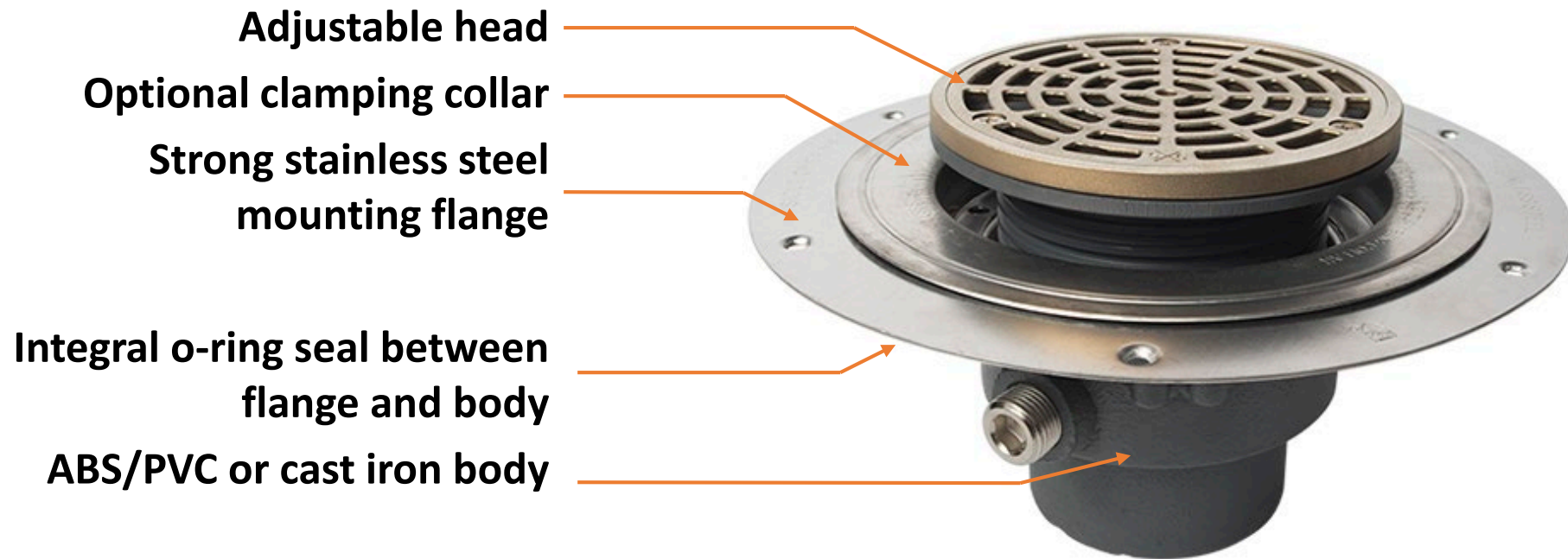
Halo™

Floor Drains / Cleanouts with Stainless Steel Deck Flange



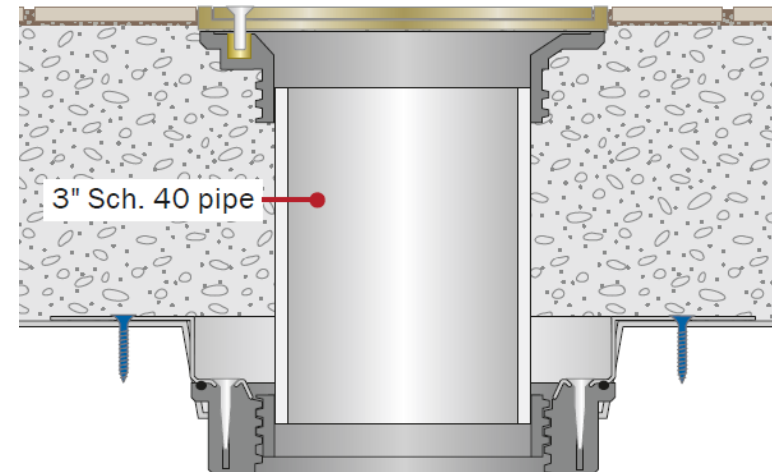
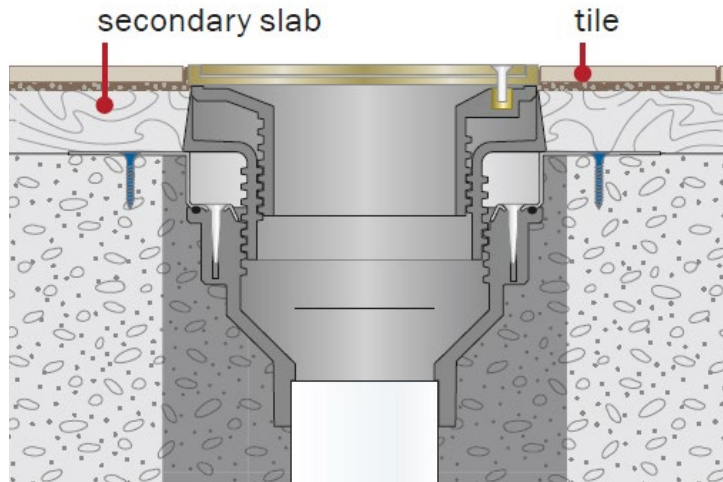
HaloTM

Unique & Adaptable



Halo™

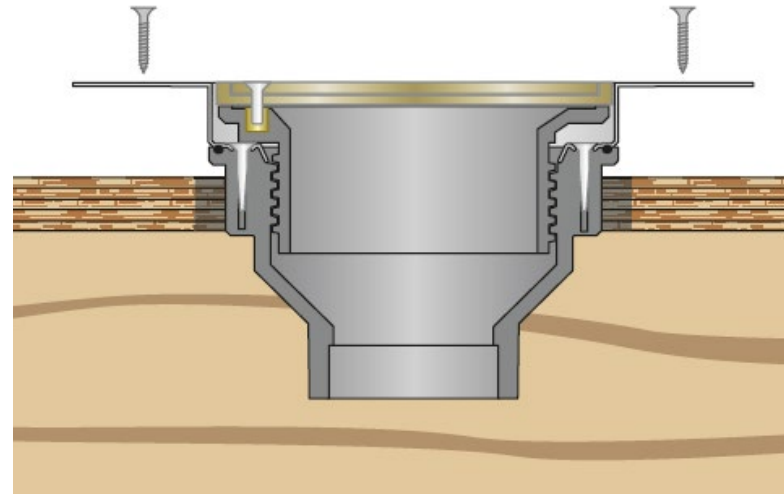
Installation Versatility



- Installs in cored concrete floors or Q-deck forms
- FinishLine option allows for secondary pours and After the Pour adjustability
- Installs in single 6" core, eliminating expensive two step coring

Halo™

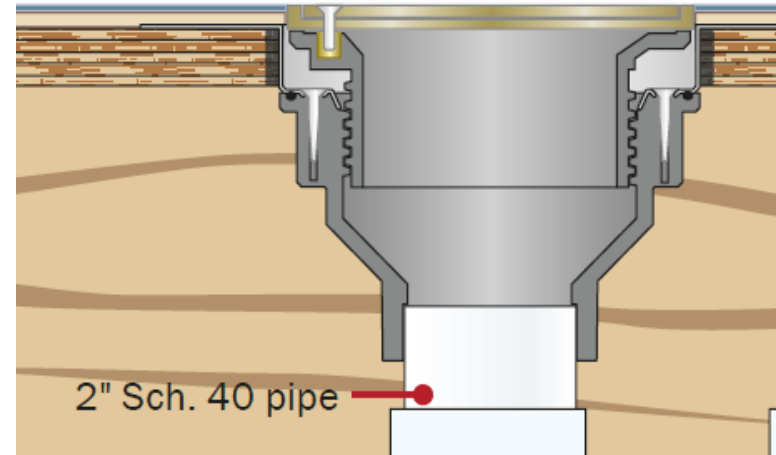
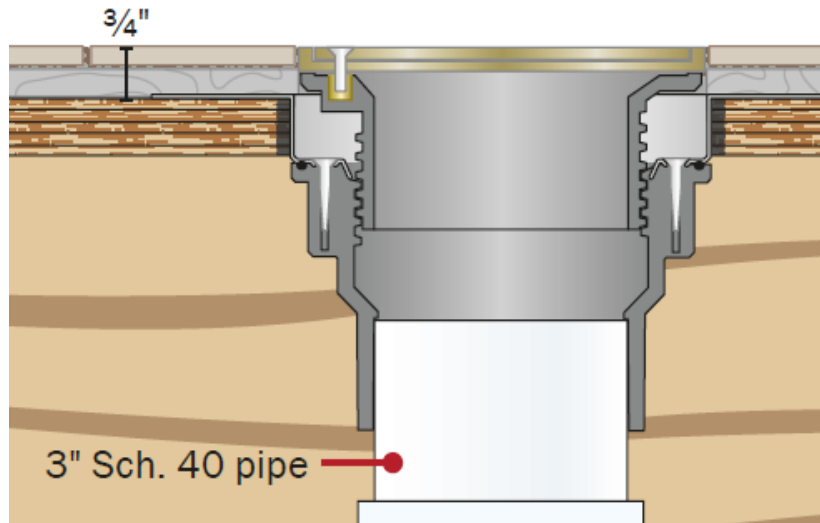
Installation Versatility



- **Installs easily from the Top Side of the floor into a single step 6-inch core**
- **No labor intensive blocking-up from underneath**

Halo™

Installation Versatility



- Head adjusts up to 3/4" above flush
- FinishLine models adjust AFTER the pour

HaloTM

Installation Versatility

Lenexa Civic Center
- US Engineering



Halo™

Unique & Adaptable

- Great for loft remodels, second-floor utility/laundry rooms, multi-family construction, etc.
- Models available with FinishLine feature
- ABS/PVC body or cast iron body



Floor
Drain



Cleanout

Deck Anchor™

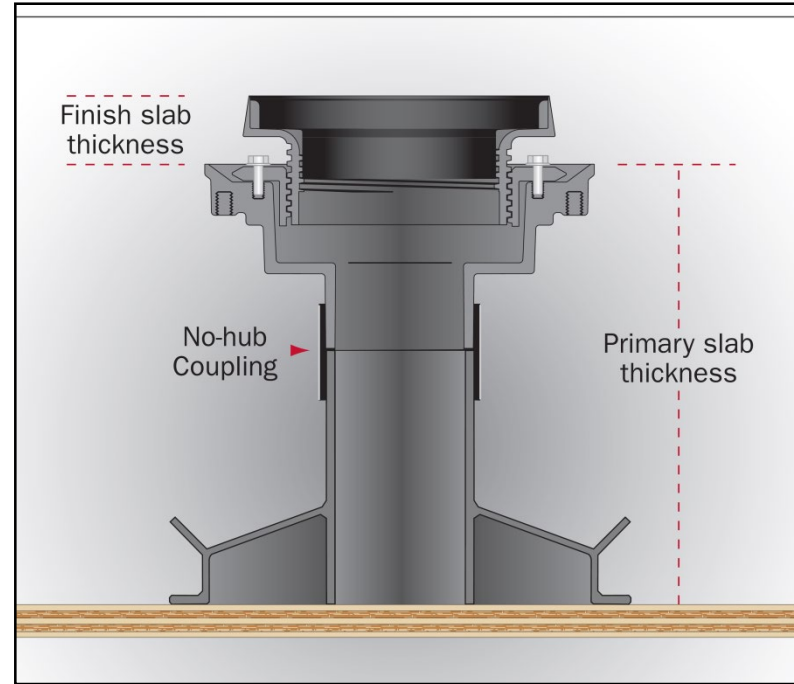
Fixture Mounting & Connection Fitting

- Anchors fixtures in place on slab form during rough-in
- Rugged, one-piece ductile iron construction
- Provides easy access to connection when form is removed



Deck Anchor™

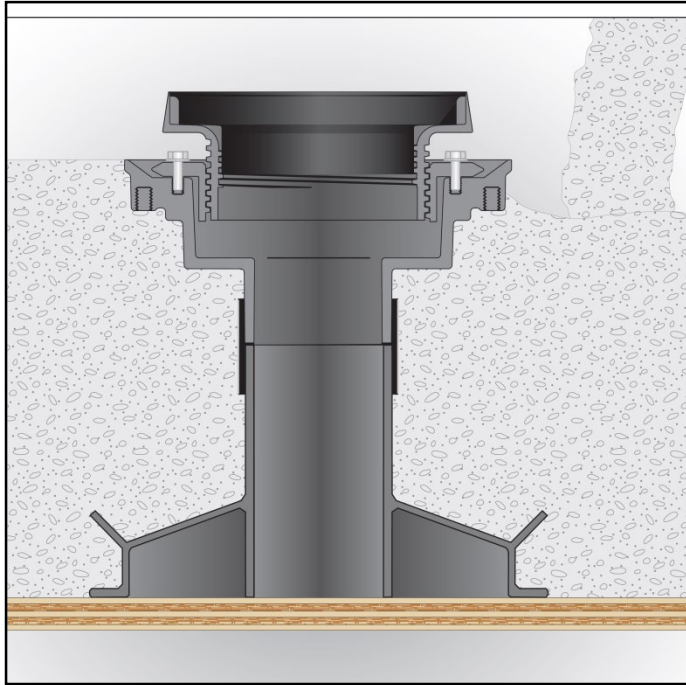
Fixture Mounting & Connection Fitting



Measure & Mount

Deck Anchor™

Fixture Mounting & Connection Fitting



Pour & Connect

Current Method



Labor intensive, and subject to drains being knocked out of level during the concrete pour

Sioux Chief Solution



Consistent & Solid.
Easy access to make connections after the pour



View from ceiling
after wood form
removed.



Glue 3" PVC pipe
up into Drain Hub
connection.



Attach Firestop
Collar



Deck Anchor™



FLOOR SINKS



FatMax™

Large-capacity Floor Drains

- Great for large floors or outdoor areas
- A variety of options and accessories to suit numerous applications
- ABS/PVC models with Sch. 40 hub connection
- Cast iron models with No-hub or Push-Joint connection
- Stainless Steel models for special applications



SquareMax™

PVC Square Floor Sinks

- A great alternative to cast iron sinks
- Non-porous, bacteria/heat resistant and corrosion proof
- A variety of options and accessories to suit numerous applications
- Molded from our high-grade, impact resistant PVC for durability
- Easier connection to Sch. 40 DWV

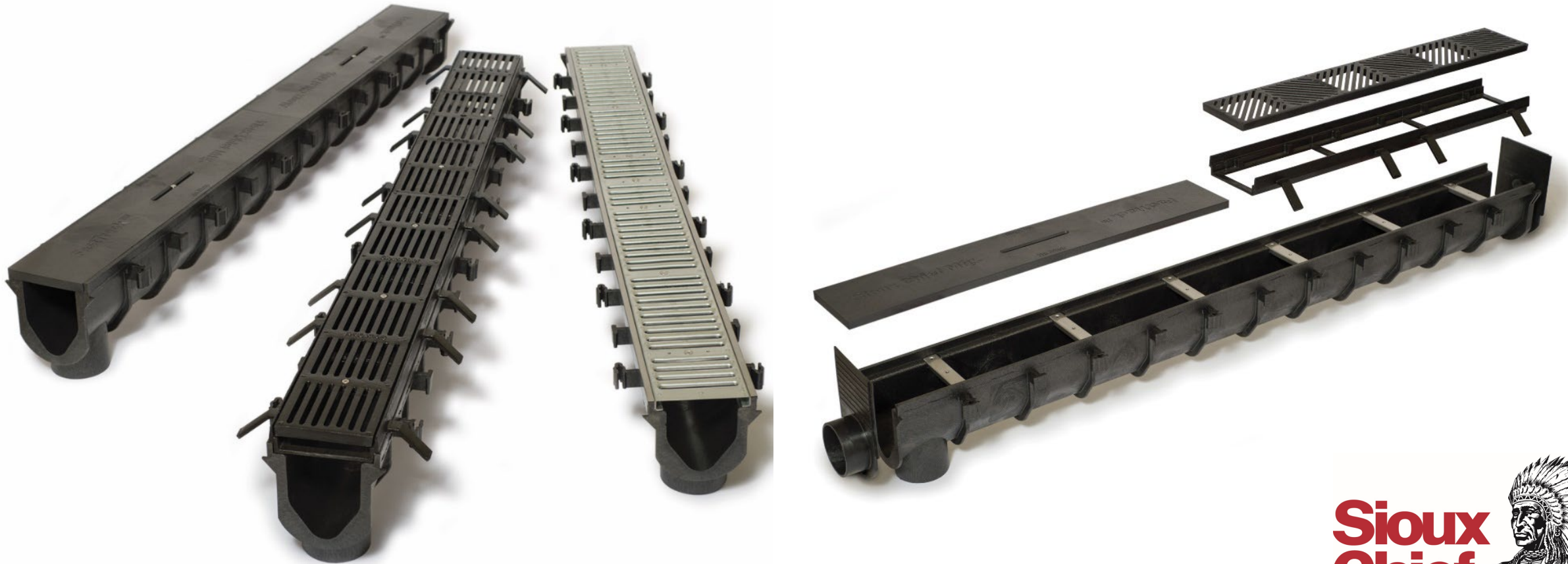


with stainless steel
open-half strainer



Fast Track™

6-inch HDPE Trench Drain System



FastTrack™

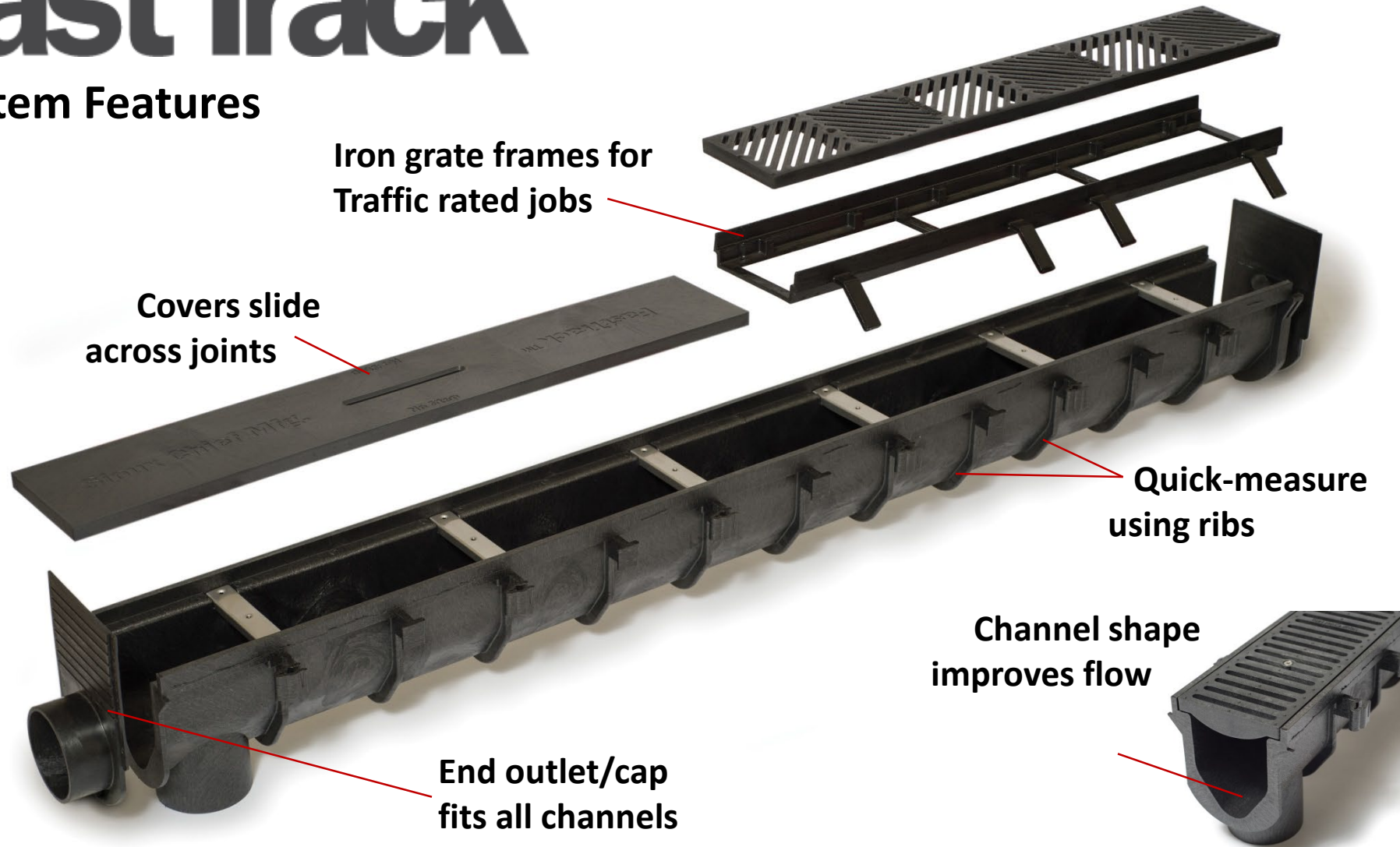
System Features

- **Tough, lightweight HDPE material**
- **72" Sloped & neutral channel sections, 36" Grate sections**
- **Easily field cut on 6" increments**
- **Construction covers and grate anchors included**
- **Pre-molded bottom outlet and rebar anchors**
- **Solid, interlocking channel joints do not require fasteners**



Fast Track™

System Features



Fast Track™

Grating Options

- **Ductile Iron:**
Slotted, Cross-Slot, Diagonal-Slot patterns
Heavy/Medium duty traffic applications
- **Galvanized/Stainless Steel:**
Slotted and Perforated patterns
Medium/Light duty traffic applications
- **HDPE:**
Slotted pattern. Pedestrian/Light duty
traffic, pool areas, chemical-resistance



Fast Track™

Accessories

- **End cap/outlet:**
Attach with screws. 4" No-hub connection
- **Edge Guards:**
Covers channel edge for more finished look
- **Grate Frame:**
Protects channel from heavy load/impact damage



Fast Track™

Job Sketch Sheets



Fast Track™
» Pre-sloped Trench Drain System

Job Sketch:
Gateway Project
Notes: Submitted for approval. System designed with sloped/neutral sections. If all-sloped system is required, please advise. Drawing is for reference only - Not To Scale.

Multiple Bottom Outlets 96'

[A] Connect downstream end of both sections together.
[B] Connect upstream end of both S1 sections together.
[C] Choose one bottom outlet to open and connect to drain

System Components

- Channels: 4 pcs of 865-N3
6 pcs each of 865-S1, 865-S2
- Grates: 32 pcs of 865-GiS slotted ductile iron
- Grate Frames: 32 pcs of 865-F ductile iron frame
- End Caps: 2 pcs of 865-EC

General Installation Profile

NEW OR EXISTING SLAB
concrete encasement
4" MIN
EXPANSION JOINT
concrete encasement
4"

www.siouxchief.com

Sioux Chief

Supply Drainage Support

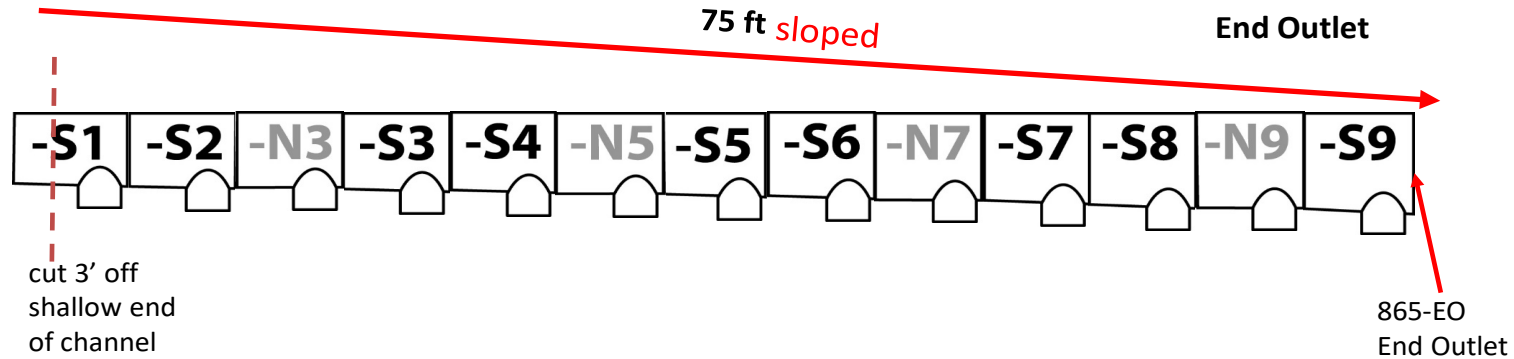
TAKE THE FIELD.

FastTrack™

» Pre-sloped Trench Drain System

Job Sketch: Hitt Plumbing Victorville, CA

Note: Submitted for approval. System designed with sloped/neutral sections. If all-sloped system is required, please advise. Drawing is for reference only - Not To Scale.



System Components

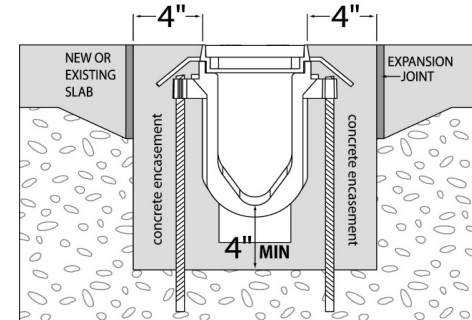
Channels: 5 pc each of 865-S1, 865-S2, 865-N3, 865-S3, 865-S4, 865-N5, 865-S5, 865-S6, 865-N7, 865-S7, 865-S8, 865-N9, 865-S9

Grates: 125 pcs of 865-GGS Slotted Galvanized Steel Grate

End Cap: 5 pc of 865-EC

End Outlet: 5 pc of 865-EO

General Installation Profile



Supply Drainage Support

www.siouxchief.com

TAKE THE FIELD.











New PEX Extrusion Lines - Sioux Chief Peculiar





ROOF DRAINS

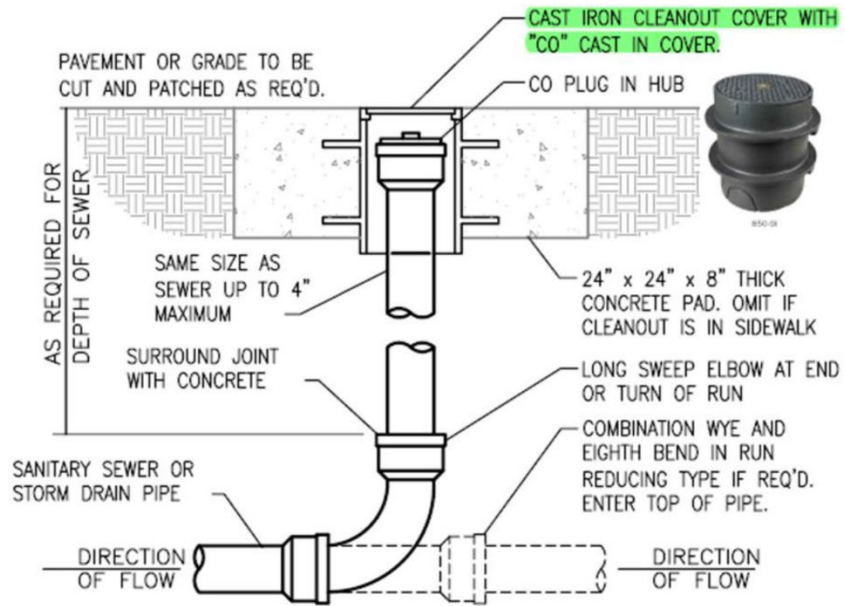


CAST IRON ROOF DRAINS & ASSEMBLIES





HEAVY DUTY CLEANOUT HOUSING



Downspout Nozzle

Effective

Nozzles divert water away from the building wall to prevent unsightly water stains

Available in 3" – 8" sizes with No-Hub or FIP thread connection

Quality

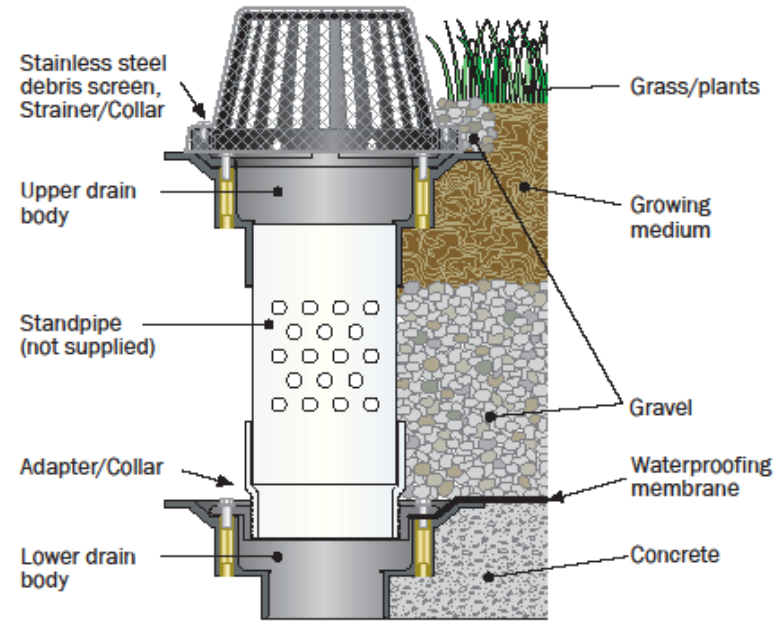
Cast nickel-bronze material.
Escutcheon/ring included to provide a clean, secure appearance





Planter Area Drain

For Roof-top or Ground-level Planting Areas



TYPICAL INSTALLATION

Fixtures are installed where draining of excess water in planting areas is necessary. A measured length of 4" Sch. 40 PVC is installed between the adapter and the upper drain body. This pipe may be drilled and wrapped with landscape fabric (if desired) for additional secondary drainage. Gravel should be applied around the adapter and collar to protect weep holes and insure proper secondary drainage.



Water Hammer Arresters

»» Exploring the Selection

- »» Highest Quality
- »» Best Warranty
- »» Best Track Record
- »» Most Widely Distributed Worldwide
- »» Made In America
- »» Made In America from Domestic Materials



MiniRester™



HydraRester™



MegaRester™



Methods of Sizing

Three different methods of sizing are outlined below for each industry segment. Choose the sizing method most appropriate for your project and refer to the following pages for more details on that method.

RESIDENTIAL



Single-Fixture & Private Plumbing Groups

Applications: Not just for homes. Plumbing fixtures in homes, duplexes, apartments, condominiums, motels, hotels and military housing.

Sizing / Placement

Guideline: One size fits all. Point-of-use AA size arrester on both hot and cold lines. Place on dishwashers, washing machines and tub/shower valves.



Arrester Group: Any ASSE 1010 Certified AA size arrester. Various connection size and type are for installer's convenience.



COMMERCIAL

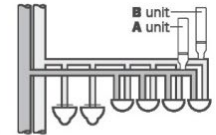


Multi-fixture Plumbing Groups

Applications: Plumbing fixtures in office buildings, retail, schools, hospitals, correctional facilities and public buildings.

Sizing / Placement

Guideline: The properly sized arrester corresponds to the total number of fixture units on each hot and cold branch line. Place each arrester at end of the branch line.



Arrester Group: Any ASSE 1010 Certified A, B, C, D, E, or F size arrester. Various connection size and type are for the installer's convenience.



INDUSTRIAL



Large Industrial Piping Systems

Applications: Industrial equipment, food processing, commercial laundry, up-feed pump systems, irrigation and waste treatment systems.

Sizing / Placement

Guideline: To size an arrester for industrial applications, use the Industrial Equation, custom sizing the arrester given the system information of a particular project. A computer spreadsheet version of this equation is also available.



Arrester Group: Large Industrial size arresters, 200-400 cubic inch size.



TABLE 1

FIXTURE	TYPE OF SUPPLY CONTROL	FIXTURE UNITS					
		PUBLIC			PRIVATE		
		TOTAL	C.W.	H.W.	TOTAL	C.W.	H.W.
Water Closet 1.66 PF	Flush Valve	8	8	-	5	5	-
Water Closet 1.66 PF	Flush Tank	5	5	-	2.5	2.5	-
Pedestal Urinal 1.06 PF	Flush Valve	4	4	-	-	-	-
Stall or Wall Urinal	Flush Valve	4	4	-	-	-	-
Stall or Wall Urinal	Flush Tank	2	2	-	-	-	-
Lavatory	Faucet	2	1-1/2	1-1/2	1	1	1
Bathtub	Faucet	4	2	3	2	1-1/2	1-1/2
Shower Head	Mixing Valve	4	2	3	2	1	2
Bathroom Group	Flush Valve Closet	-	-	-	8	8	3
Bathroom Group	Flush Tank Closet	-	-	-	6	6	3
Separate Shower	Mixing Valve	-	-	-	2	1	2
Service Sink	Faucet	3	3	3	-	-	-
Laundry Tubs (1-3)	Faucet	-	-	-	3	3	3
Combination Fixture	Faucet	-	-	-	3	3	3
Clothes Washer	Solenoid Valves	-	-	-	4	3	3
Dishwasher	Solenoid Valve	-	-	-	1.5	-	1.5
Ice Maker	Solenoid Valve	-	-	-	1	1	-

TABLE 2

ARRESTER SIZE	AA	A	B	C	D	E	F
FIXTURE UNITS	1-4	5-11	12-32	33-60	61-113	114-154	155-330



WATER HAMMER ARRESTER DETAIL & SIZING SCHEDULE

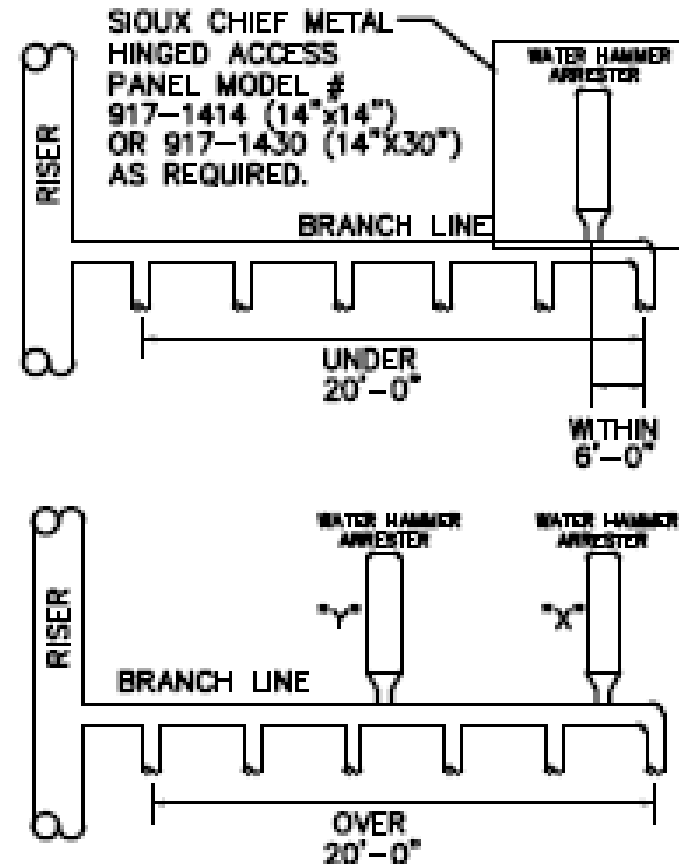
UNIT SIZE	CONN. SIZE	SIoux CHIEF MALE SWEAT/ PRESS FITTING	SIoux CHIEF THREADED (M.I.P.)	FIXTURE UNIT CAPACITY
A	1/2"	652-AS	652-A	1-11
B	3/4"	653-BS	653-B	12-32
C	1"	654-CS	654-C	33-80
D	1"	--	655-D	61-113
E	1"	--	656-E	114-154
F	1"	--	657-F	155-330

ARRESTER STANDARDS/REQUIREMENTS:

- 1.) ARRESTER SHALL BE INSTALLED WITHIN 6'-0" (MAX) OF LAST FIXTURE.
 - 2.) TYPE "L" COPPER CONSTRUCTION.
 - 3.) DESIGNED TO BE INSTALLED IN ANY DIRECTION.
 - 4.) ASSE 1010-2004 CERTIFIED.
 - 5.) PRE-CHARGED TO 65 PSI & CONTAIN NO CHAMBER SEAMS.
 - 6.) DUAL "O"-RING PISTON TYPE OPERATION.
- (VERIFY W/ LOCAL INSPECTOR IF ACCESS PANEL IS REQUIRED.)

INSTALLATION NOTE:

IF THE BRANCH LINE IS OVER 20'-0" FROM CENTER LINE OF THE 1ST FIXTURE TO THE CENTER LINE OF THE LAST FIXTURE AN ADDITIONAL ARRESTOR "Y" SHOULD BE INSTALLED AT THE MIDPOINT OF THE BRANCH LINE. THE SUM OF THE FIXTURE UNIT RATINGS FOR "X" & "Y" COMBINED SHALL BE EQUAL TO OR GREATER THAN THE TOTAL DEMAND OF THE BRANCH LINE.



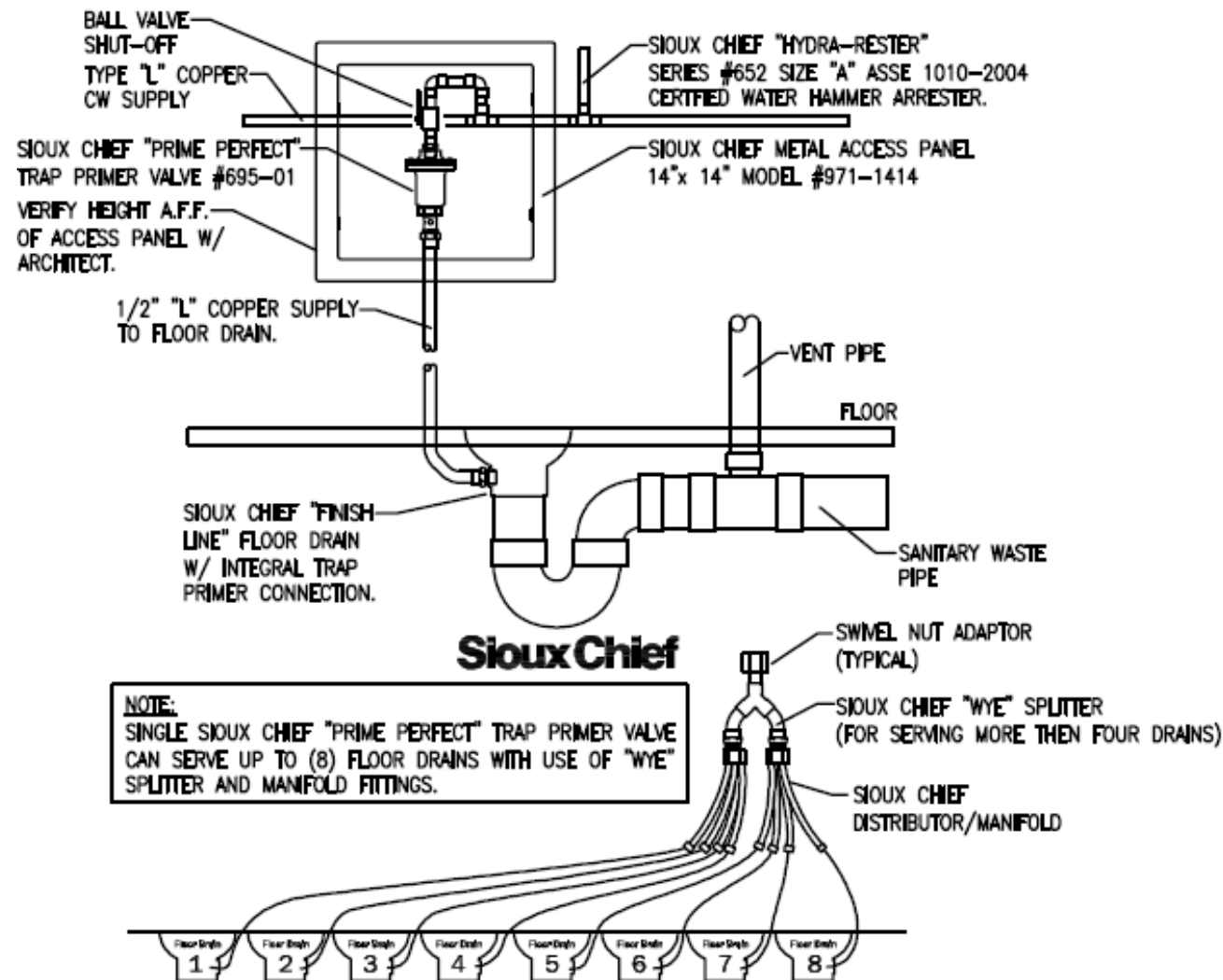
Prime Perfect™

Trap Primer - Mechanical

- Engineered Trap Seal Protection
- Large Water Chamber will emit .25oz of water per activation = industry leading
- Large screen and internal port will not clog
- Made in the USA
- Self-charges with water so it will not waterlog
- Factory set for 60psi line pressure and field adjustable from 30-150psi



Wye & Splitters



MANIFOLD OPTIONS:

- #695-D20 DISTRIBUTION MANIFOLD W/ (2) 1/4" MALE SWEAT BRANCHES
 - #695-D30 DISTRIBUTION MANIFOLD W/ (3) 1/4" MALE SWEAT BRANCHES
 - #695-D40 DISTRIBUTION MANIFOLD W/ (4) 1/4" MALE SWEAT BRANCHES
 - #695-D432 DISTRIBUTION MANIFOLD W/ (2) 1/4" MALE SWEAT BRANCHES & (2) SPIN CLOSED BRANCHES
 - #695-D432F DISTRIBUTION MANIFOLD W/ (4) 1/2" F.I.P. BRANCHES W/ TWO PLUGS
 - #695-D4325 DISTRIBUTION MANIFOLD W/ (2) 1/2" FEMALE SWEAT BRANCHES & (2) SPIN CLOSED BRANCHES
- WYE SPLITTER (USE WHEN SERVING MORE THEN FOUR DRAINS OFF ONE TRAP PRIMER VALVE):
- #695-Y52

TRAP PRIMER VALVE DETAIL

N.T.S.



Trap-Ease™

Trap Primer – Gravity fed

- Engineered Trap Seal Protection
- ASSE 1044 listed
- Economical – most cost effective and maintenance-free installation solution
- Made in the USA
- Green – Uses 'gray water' to replenish traps





Trap Primer - Electric

- Engineered Trap Seal Protection
- Available in recessed, surface mount or without access box solution
- Integral debris screen protects solenoid valve from fouling
- Integral shutoff and vacuum breaker – ASSE 1044 listed
- Assembled in the USA
- Duration of emission and frequency of emission can be set and tested



TrapShield™

Trap Protection Device

Effective

Protects trap seals in drains from evaporation to prevent odors and sewer gas from entering the building.

Easy Installation

Pushes into new or existing floor and shower drains. Removes easily for drain maintenance.

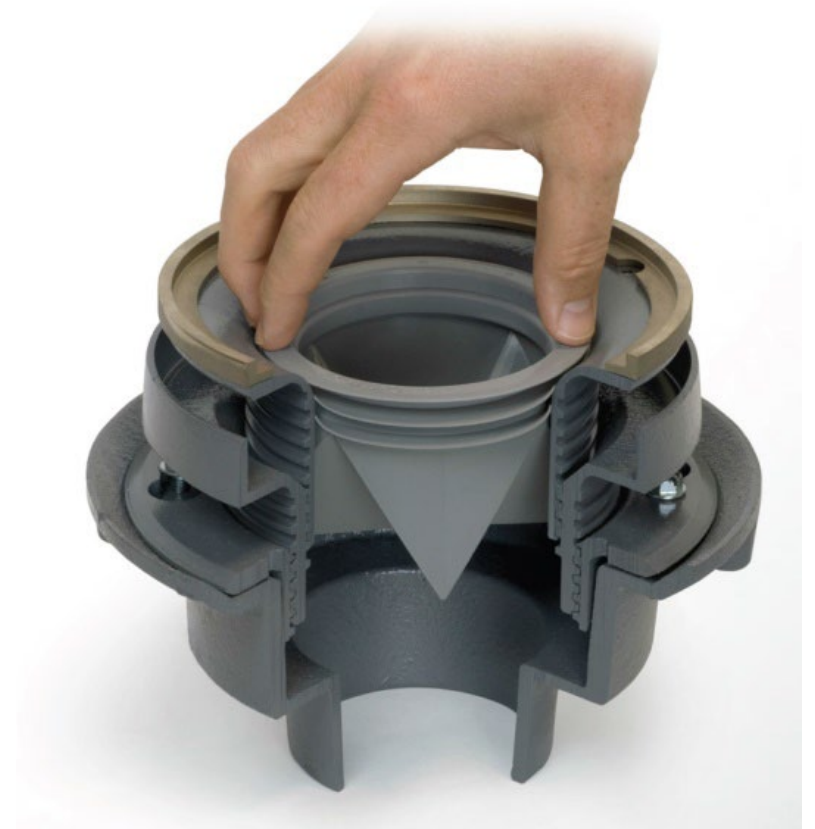
Full Flow

No obstructions. Opens easily for full water flow, then closes to protect the trap seal.

Approved

Listed with IAPMO.

Certified to the ASSE 1072 Standard.



Ox Box™

- » The most versatile outlet box in the industry for washers, icemakers, lavatories, dishwashers, toilets, AAVs, and gas connections
- » **Strong:** Over Stud application offers industry's strongest installation
- » **Fast:** Installation times are cut in half
- » **Flexible:** Separate Boxes offer endless configuration options
- » **Durable:** ABS material stands up to the job site abuse
- » **Approvals:**
 - » Standard packaged Ox Box kits are UPC Listed
 - » Fire-Rated Ox Box Kits are Warnock Hersey Certified
 - » Valves comply with ASME A112.18.1





Ox Box™ Fireguard

The Ox Box is offered with a certified fire-rating complying with:

ASTM E-814 2-hour design: 2-hour (F), 1½-hour (T) 1-hour design: 1-hour (F), 31 mins (T) ASTM E119	CAN/ULC S115 2-hour design: 2-hour (F), 1½-hour (T) 1-hour design: 1-hour (F), 31 mins (T) UL 1479
---	---

STC Rating 53
Volume 3.4 cu. in. (57 cm cubed)
Complies to UL Required
Accelerated Aging and High
Humidity Testing

Visit website for
specification sheets
1-800-821-3944
www.siouxchief.com



Ox Box™ Fireguard

The Ox Box is offered with a certified fire-rating complying with:

ASTM E-814 2-hour design: 2-hour (F), 1½-hour (T) 1-hour design: 1-hour (F), 31 mins (T) ASTM E119	CAN/ULC S115 2-hour design: 2-hour (F), 1½-hour (T) 1-hour design: 1-hour (F), 31 mins (T) UL 1479
---	---

STC Rating 53
Volume 3.4 cu. in. (57 cm cubed)
Complies to UL Required
Accelerated Aging and High
Humidity Testing

Visit website for
specification sheets
1-800-821-3944
www.siouxchief.com





Sioux Chief



Kitchen Supply Box

- » Three 3/8" O.D. Outlet Valves
- » Provides Valve Connection for Hot and Cold lines of Kitchen Faucet
- » Third Valve Provides Hot Connection to Dishwasher with Optional Arrester
- » Eliminates labor of cleaning stub outs and installing supply stops





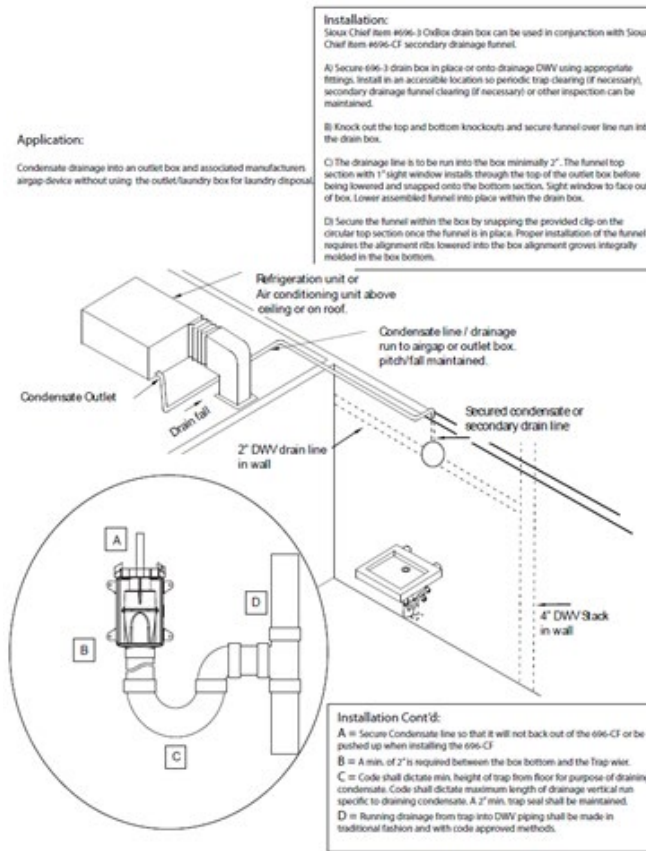
Sioux Chief



Outlet Boxes allow for a clean looking professional installation wherever a water or drainage outlet is needed



Condensate Outlet Box



Allows for flow rates up to 7 g.p.m.

Sioux Chief

 Gas Valve Outlet Box



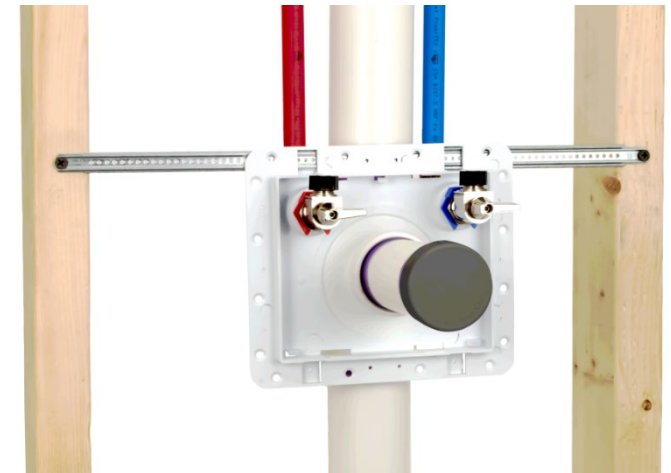
OmniPanel™

» Dual-Valve Access Panel

Patent # 9,057,460 B2

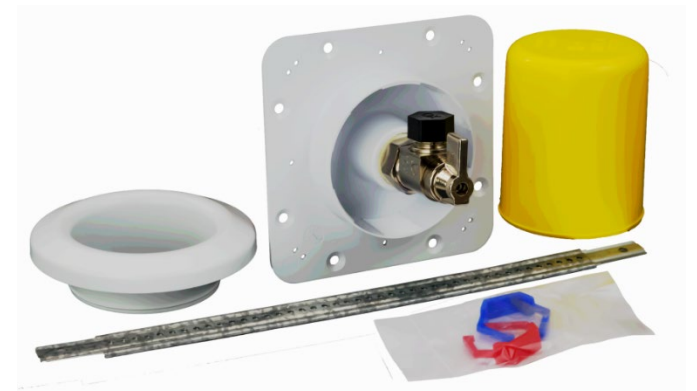
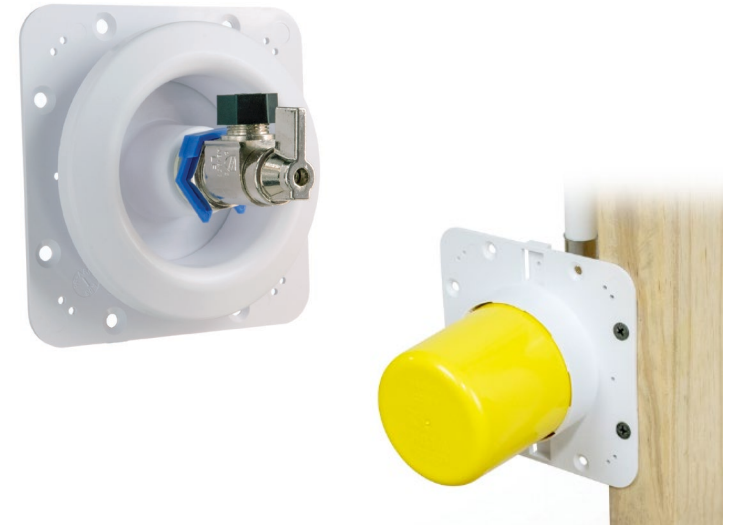


Lavatory installations are consistent, level, clean, solid, and professional ever time

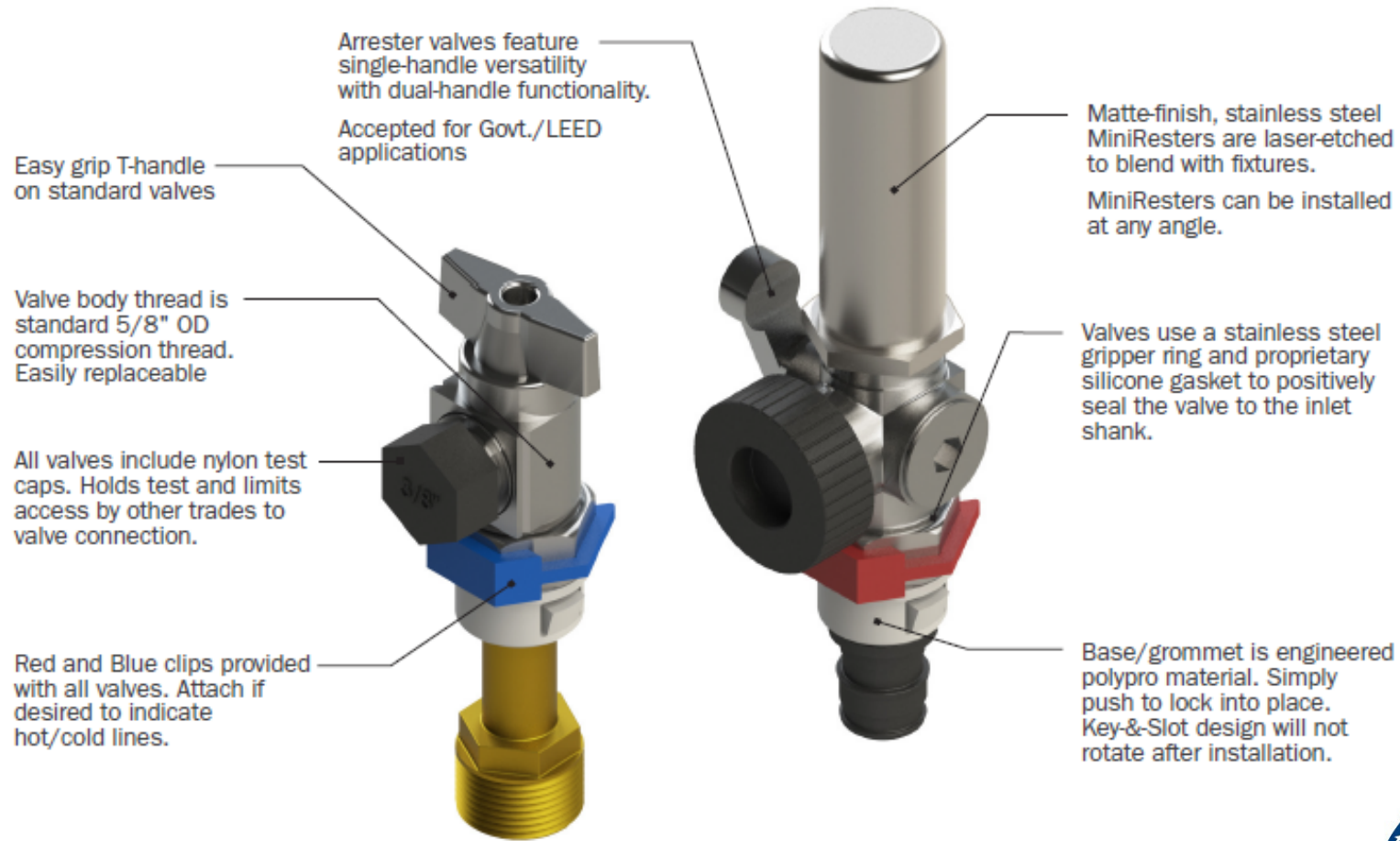


OmegaPlate™

» Single Valve Outlet Plate



Patented Valve Design Exclusive to Sioux Chief Access products.



Shower Drains



Shower Pan Drains

821 Series

- **The Industry Standard for tile floor shower drains**
- **Variety of strainer options and finishes from economical to premium for custom homes**
- **Exclusive accessories, like the DoubleDuty, tile-in head, and Round-to-Square Adapter**
- **Mounting holes for fast, solid installations**



Tile-In drain installation



StreamLine™

Linear Shower Drains

- Available in 3 strainer patterns – Square Holes, Wedge-Wire and Tile-In
- Preset lengths from 26", 30", 36", 40", 48" and 60"
- Installs easily into the 821 series drain body.



StreamLine™

»» Job-Adjustable Linear Shower Drain

Patent Pending



ProCheck™



Backwater Valve

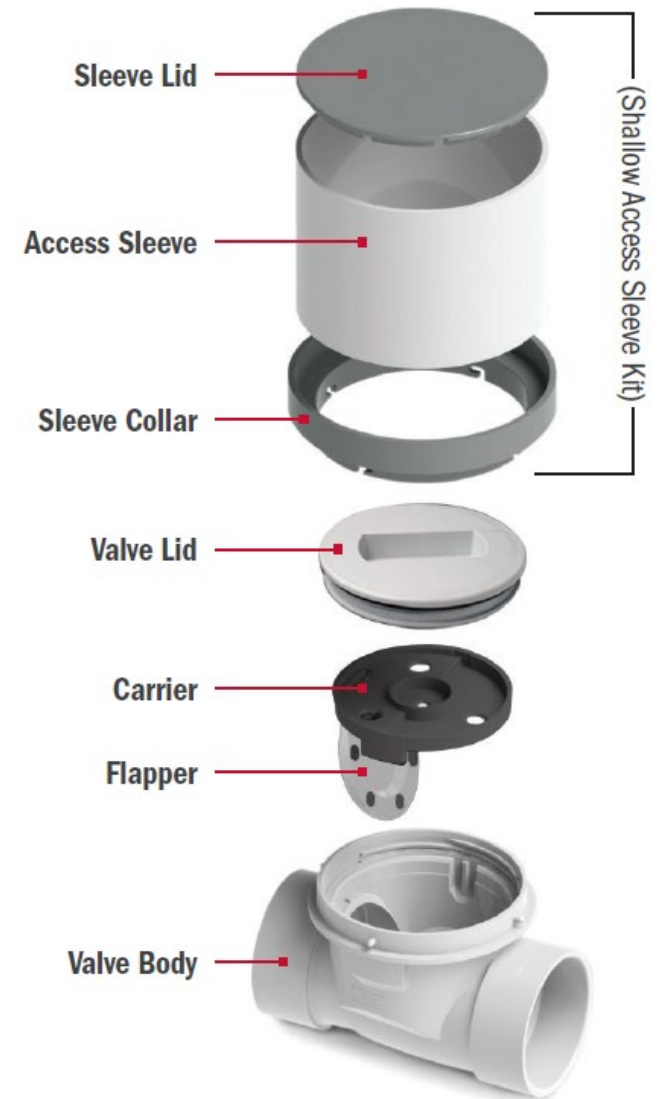
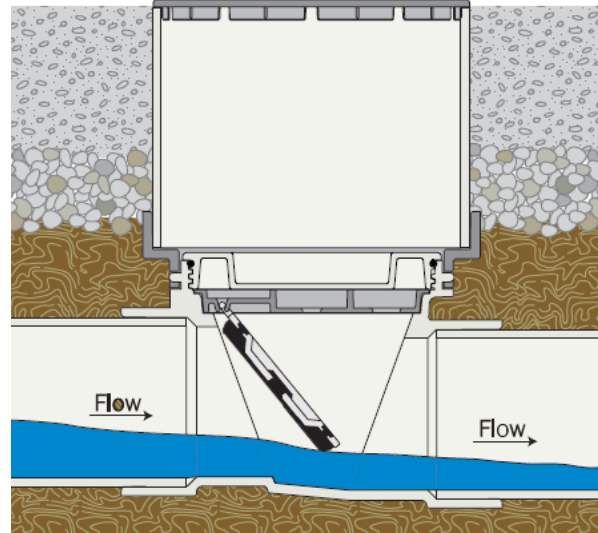
- » 3" or 4" Sch. 40 DWV lines
- » Standard, shallow-bury or deep-bury options
- » Over-molded flapper is impervious to glue
- » Key-and-slot design will not allow flapper and carrier to install backwards.
- » Made in USA



ProCheck™

Shallow Installations

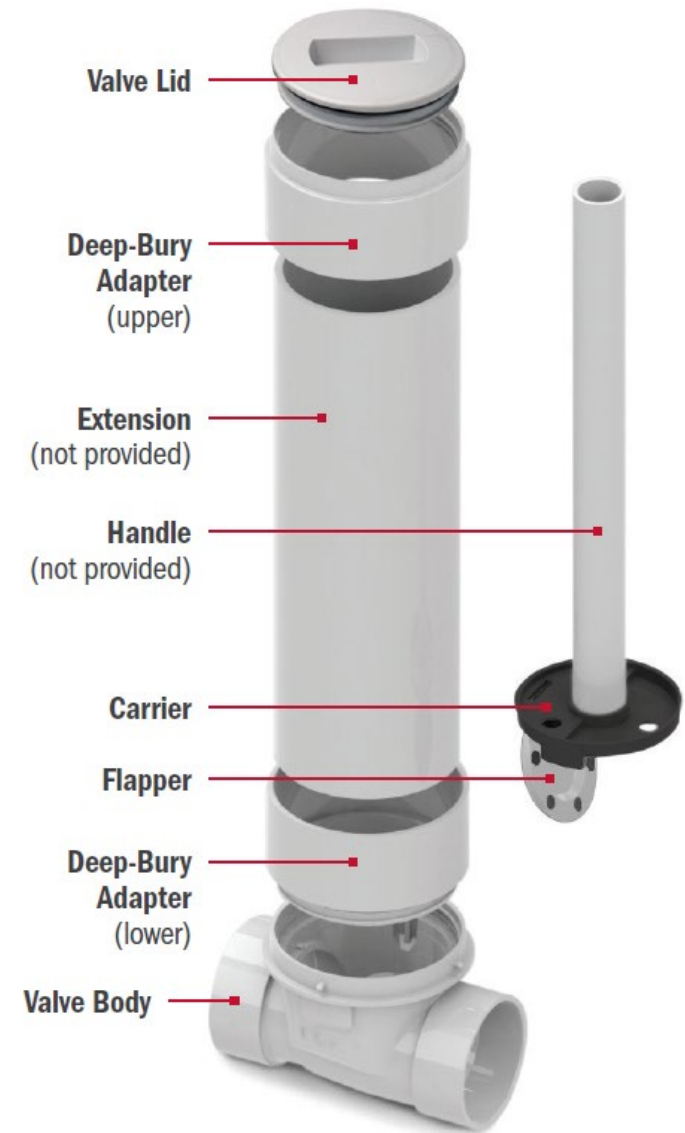
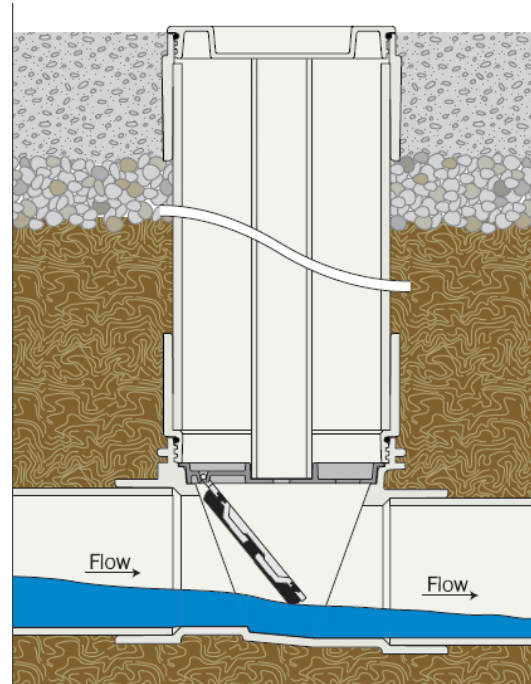
- »» Shallow installations are no more than 18" below the surface
- »» Valve is sealed with a threaded lid
- »» Sleeve provides access to the lid and flapper after installation
- »» Kit includes backwater valve, sleeve collar, sleeve lid and access sleeve (8" SDR-35)



ProCheck™

Deep-Bury Installations

- »» Deep-Bury is when the valve is too deep to be reached by hand
- »» Kit includes upper and lower adapter fitting. Valve is to be purchased separate.
- »» Contractor provides own extension made up of 6" Sch 40 pipe.
- »» Carrier can be accessed with handle made from 1 ½ Sch 40 pipe



TurboVent™

Air Admittance Valve

- **Spinning, self-cleaning internal mechanism ensures a good seal with each activation**
- **Opens quickly and seals tightly – holds up to 13 psi back pressure**
- **Certified by ASSE to 1050 and 1051 Standards. Meets IPC. IAPMO Listed**
- **Large open area allow greater air flow into the system during activation**



Self-cleaning
mechanism

TurboVent™

Air Admittance Valve

- Available with OxBox Access box system
- Available with solvent weld adapters, tubular connection kits and contractor packs
- Protective debris cover on each unit prevents clogs during rough-in
- Lower-profile design is easier to install in tight spaces



PowerBar™ Universal Bracketing System



Power Bar Mini Strut™

» Heavy Duty Overhead Bracket

- » **Cost Effective:** An economical alternative for trapeze installations. Pre-loaded TouchDown clamps save time.
- » **Convenient:** Eliminate buying and stocking multiple, size-specific strut clamps and manage jobsite materials more effectively.
- » **Strong:** Made from high quality 16-gauge steel and available in two lengths.



TD+™ Universal Clamps

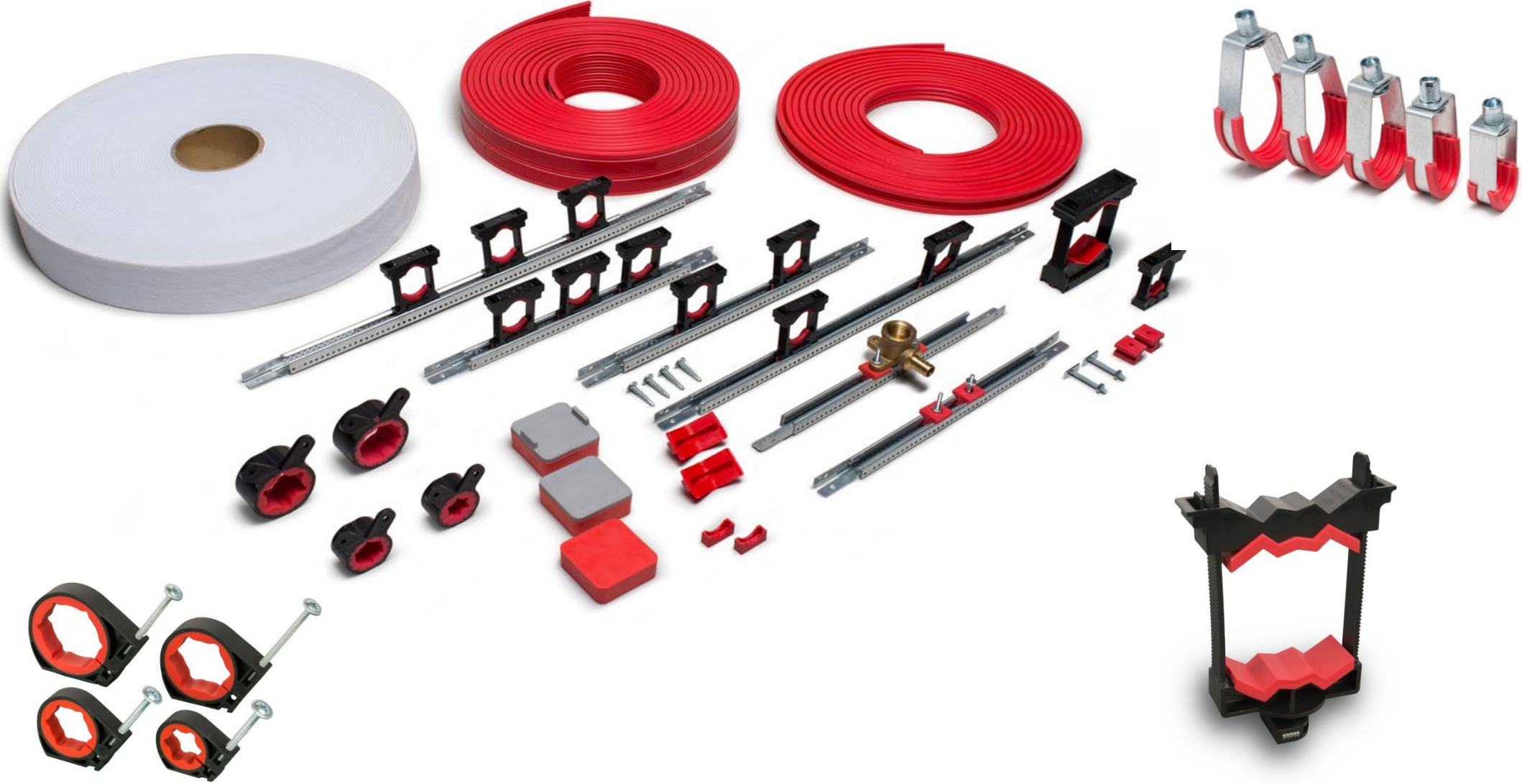
- » Supports ½" CTS through 2" IPS
- » Supports multiple supply lines within a single clamp
- » Stack bridges to hold different pipe sizes
- » Flat base can be used with PowerBar™ or PowerBar MiniStrut™
- » Strut foot model fits common 1-5/8" Unistrut channel
- » Metal inserts prevent strut clamp from slipping within the strut
- » IAPMO Listed
- » Available in E84 Fire Rated Plenum Safe material







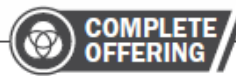
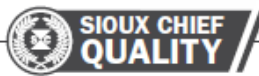
Acoustical Supports




PowerPEX[®] ASTM F877

TUBE

- » **Complete** - . 1/8"-2". Tubing is offered in straight lengths and coils in all popular colors. Sioux Chief offers a variety of barrier tubing items alongside standard potable tubing.
- » **Warranted** - 25-year warranty on tube and fittings without limitation. The tube is warranted. The fittings are warranted. Connection types may be matched or installed in hybrid systems without a change in warranty.
- » **Made In America** - Domestic materials. Domestic manufacture. Made in America using the best materials possible with the best people possible.
- » **Quality** - State-of-the-art equipment to assure lifelong plumbing systems.



ENGINEER RESOURCES PAGE & TOOLS



Internet Browser x +

www.siouxchiefdigitalcatalog.com

Apps Lookmarks Stat Google Apps Looker Instances Looker Resources Github Imported Bookma... My stuff

Browse v Explore v Develop v Admin v

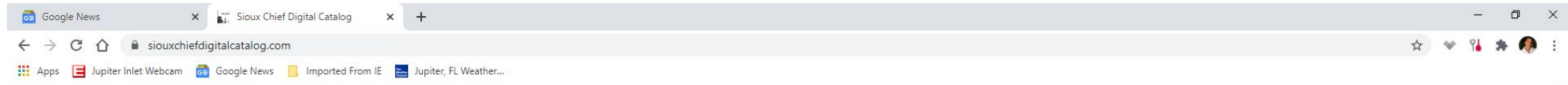
Enter www.siouxchiefdigitalcatalog.com into the url line on your internet browser.
This is the line at the top of your browser that shows the website you are on.

This will take you to a landing page that contains Engineer specific tools & resources.

Note: This resource page is not available through the Sioux Chief website or via Google.



ENGINEER RESOURCES PAGE & TOOLS



MAKING IT IN AMERICA »» MANUFACTURING SINCE 1957

We invent and produce the industry's highest quality plumbing parts.



ENGINEER'S SPECIFICATION GUIDE

This Engineer's Specification Guide links directly to specification sheets, design files, CAD and Revit files for all of Sioux Chief's specified products.

Our goal is to make it easy for Plumbing & Mechanical Engineers to specify quality built, made in the USA products.



SIoux CHIEF DIGITAL CATALOG

This is the complete Sioux Chief digital catalog. It features over 7,000 products. Over 90% of which are proudly made in the USA. Click to open this PDF file. Please consider saving a copy of this PDF to your desktop, so that you can instantly access information on every Sioux Chief product.



NEWEST PRODUCTS DIGITAL MAGAZINE

This Digital Magazine highlights some of Sioux Chief's newest products.

Please let us know if we can get you additional product information, or samples of any of our newest products.

ENGINEER RESOURCES PAGE & TOOLS

www.siouxchiefdigitalcatalog.com



Click On Engineer's Guide
(Please consider saving this PDF to your Desktop)

ALPHABETICAL PRODUCT INDEX

This Alphabetical Product Index features links for each item listed. Click on any item within the index to go straight to that page. Each product page features links for submittal sheets and digital drawing files.

If you do not find the information you are searching for, please reach out to us and we will promptly get you the information you need.

A
AAV's (Turbo Vent*) 14

Access Box - Omega Plate* - Single Valve Outlet Plate 16
Specifications & digital files 19
Omni Panel* - Dual Valve Outlet Panel 20-27
Specifications & digital files 27

Access Box - Ox Box*
AAV - Turbo Vent® Box 44
Fire-Rated Icemaker Box 40-41
Fire-Rated Gas Outlet Box 42
Fire-Rated Lavatory Box 41
Fire-Rated Toilet/Dishwasher 42
Fire-Rated Washing Machine 39-40
Frames & Accessories for 43
Gas Outlet Box 42
Icemaker Box less arresters 35
Icemaker Box with arresters 36
Kitchen Supply Box 52-53
Lavatory Outlet Box 45-51
Ox Box Bochure 28-30
Ox Box One* 54-55
Toilet/Dishwasher Box 38
Washing Machine Box less arresters 33
Washing Machine Box with arresters 34

Access Panels
metal 57
one piece 57
two piece - Over Under* 56

Each item listed in the Alphabetical Product Index is hot linked. **CLICKING** on any item will take you straight to that page.

Lookup item in Product Index and **CLICK** to go to that page

Outlet Box

Fire-Rated Ox Box™
Outlet Box
Part # 280.203.0 & 2735.013

- Over-the-stud installation or separate stud installation is required, see instructions
- Warnock Hersey Certified
- Constructed using fire-retardant plastic resin
- Over-the-stud installation is the quickest, easiest, strongest, and carries the highest rated fire certification in the industry
- Debris covers included to protect boxes from drywall mud and paint

The Fire-Rated Ox Box™ is certified by Intertek/Warnock Hersey to the following fire listing standards:

ASTM E-814
2 hours (F), 1 1/2 hours (T) for 2-hour design
1 hour (F), 33 min (T) for 1-hour design

CAN/ULC S115
2 hours (F), 1 1/2 hours (T) for 2-hour design
1 hour (F), 33 min (T) for 1-hour design

ASTM E119
UL 547B

SUPPLY
DRAINAGE
SUPPORT
APPENDIX

Fire-Rated Ox Box™
Washing Machine Outlet Box
Part # 280.203.0 & 2735.013

- Boxes mount securely to stud or over studs
- Separates supply and drainage systems into two stud bays
- Drain knockout is easy to remove with pliers
- Supply lines can be mounted from above or below
- High-quality quarter-turn ball valves
- 1/2" male hose thread outlet connections

CLICK FOR FIRE-RATED SUBMITTAL

CLICK FOR Recent BIM - RFA File

CLICK FOR Revit/BIM - Image

Item No	Drain Connection	NO	Pkg	Min Qty	Case Qty
STANDARD PACK					
098R2303MF	1/2" female thread	8"	10	10	
098R2303CF	1/2" CPVC male	8"	10	10	
098R2303DF	1/2" PEX F1560	8"	10	10	
098R2303WF	1/2" PEX F1560	8"	10	10	
098R2303AM	1/2" PEX F2080	8"	10	10	
098R2303DM	1/2" female thread, no lead	8"	10	10	
098R2303CF	1/2" CPVC male, no lead	8"	10	10	
098R2303DF	1/2" PEX F1560, no lead	8"	10	10	
098R2303WF	1/2" PEX F1560, no lead	8"	10	10	

Specification sheets, DWG files, and RVA files are on the product page

PLEASE LET US HELP YOU!

- If you do not find the Engineering resource you need (submittal, DWG file, etc), Please let us know and we will get it to you as quickly as possible
- We are happy to prepare a Digital Submittal Package for any job. If you send us a Plan set, we will prepare a digital package of all Sioux Chief products that can be utilized on that job.
- Please consider sharing your Master Specification language with us. We will go thru your Master Spec and propose suggested Sioux Chief additions. We will always make these suggestions in a way that is easy for you to review and incorporate
- We are happy to cross any other product to the comparable Sioux Chief product.

Reach out to us at: Kyle Meagher Kyle.Meagher@siouxchief.com

800-821-3944