

# FinishLine™

## Shower Pan Drain



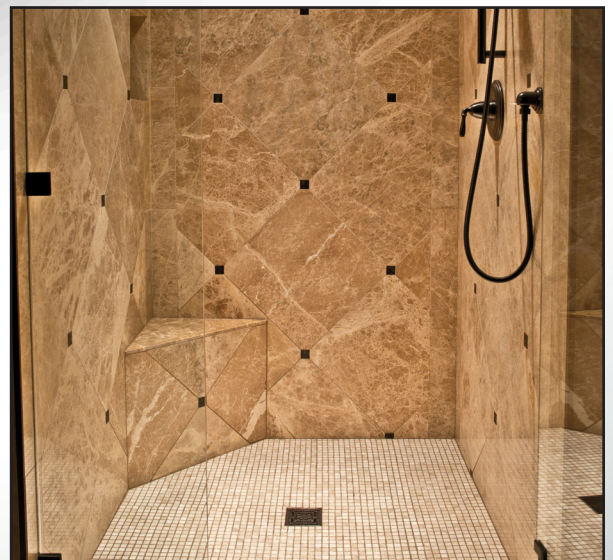
### Unique

Allows for adjustment after setting a secondary mortar bed – no more guesswork on tile thickness

Can be used with traditional or fabric-bonded pan liners and liquid membranes – one drain for all tiled shower installations

### Practical

Can be installed like a traditional shower pan drain – no special tools or techniques required



Supply

Drainage

Support

Specialties

[www.siouxchief.com](http://www.siouxchief.com)

TAKE THE FIELD.



Snap-in, stainless steel rough-in cover  
Keep the finish strainer clean, protected,  
and off the job during rough-in

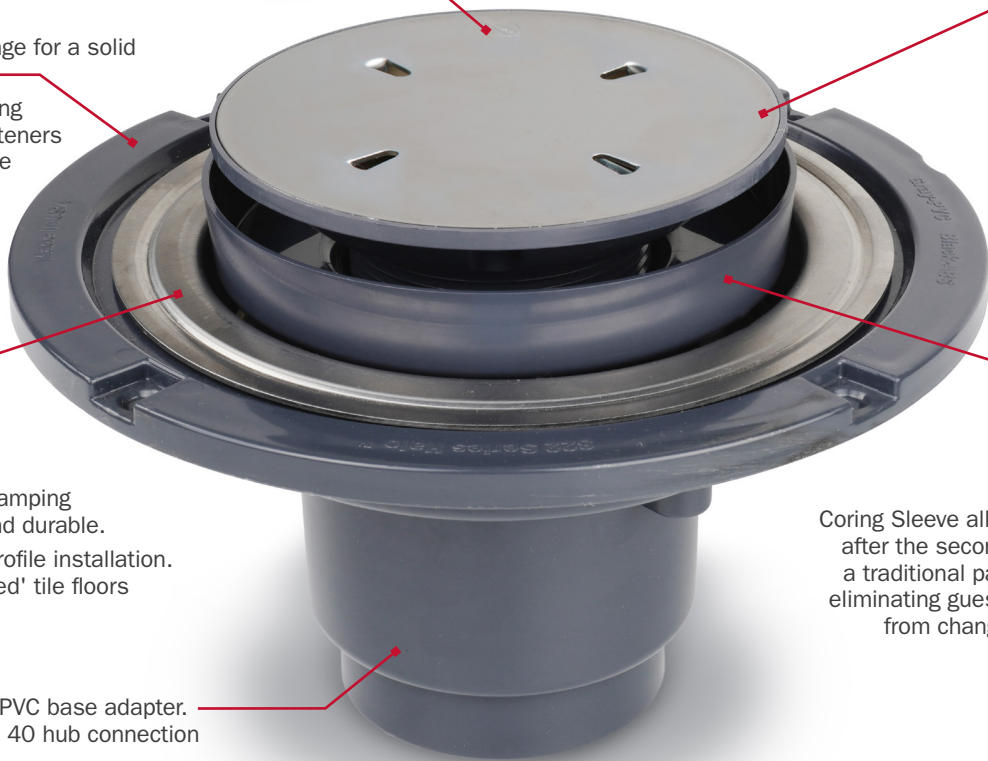
Finish Fixture adjusts separately from the Coring  
Sleeve – from flush to 1" above the sleeve rim

Wide, integral flange for a solid  
installation.  
Recessed mounting  
holes prevent fasteners  
from damaging the  
waterproofing

Stainless steel clamping  
collar is strong and durable.  
Allows for a low-profile installation.  
Perfect for 'thin-bed' tile floors

ABS or PVC base adapter.  
2" Sch. 40 hub connection

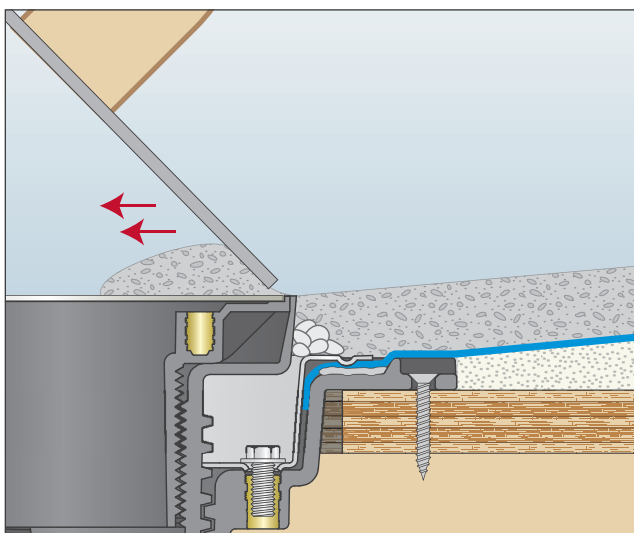
Coring Sleeve allows for adjustment  
after the secondary mortar bed in  
a traditional pan liner installation,  
eliminating guesswork or problems  
from changes in tile selection



Designed in accordance with  
A112.18.2 / CSA B125.2

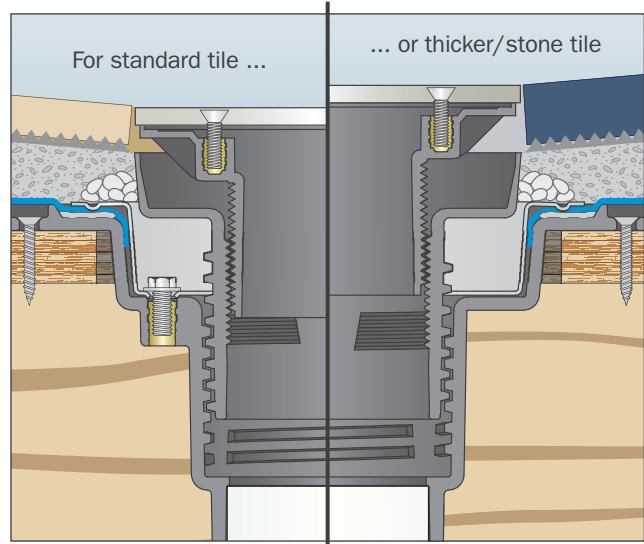


## Additional Features for Traditional Applications



### Rough-in Sleeve & Cover

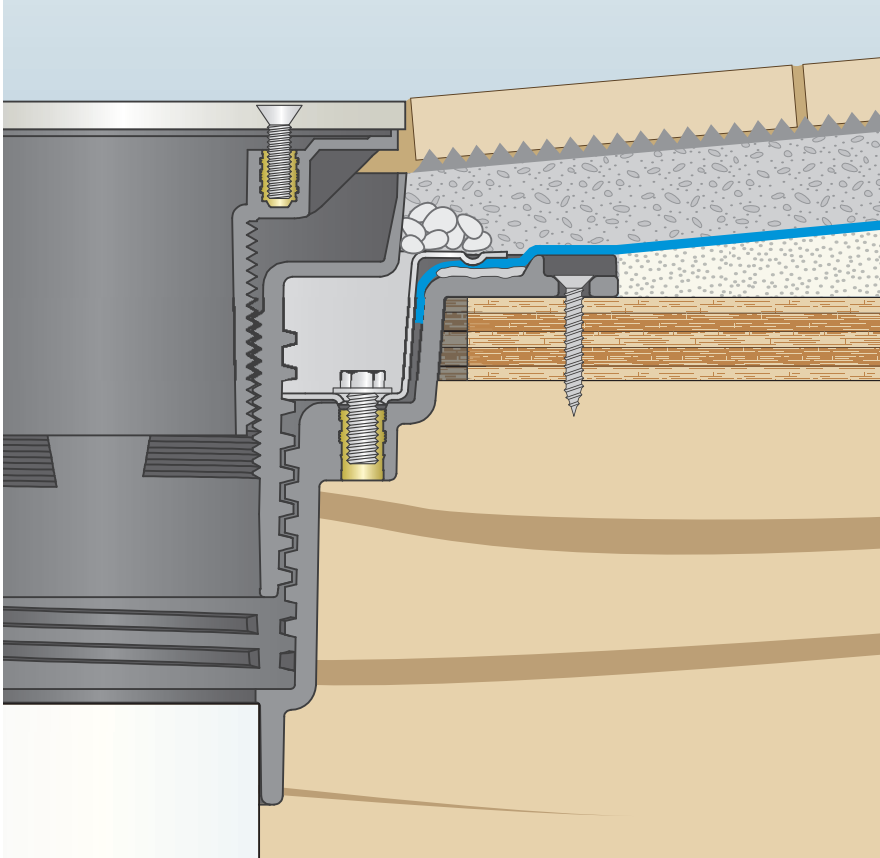
The stainless steel rough-in cover makes it easy to set the secondary mortar bed – adjust the sleeve/cover to be flush, and screed right over the top!



### Fully Adjustable

The Finish Fixture remains adjustable, even **after** the mortar bed has set – No worries if the tile spec changes. Works with tile up to 1" thick.

## Typical Installation with Traditional Sheet Pan Liner



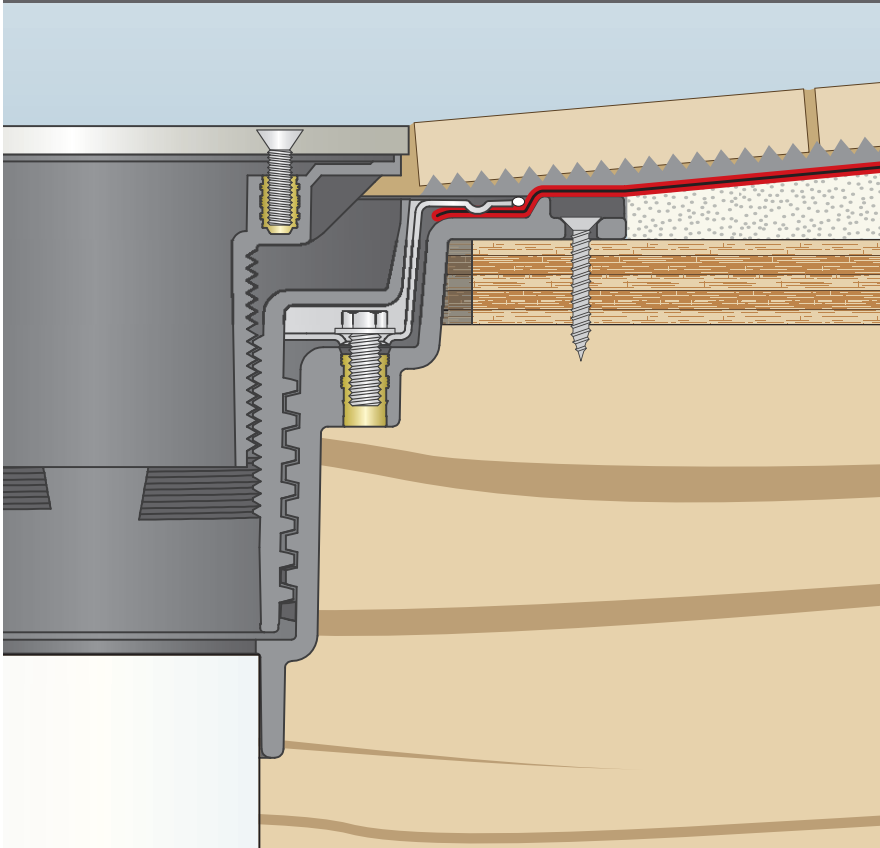
In a traditional shower pan application with sheet pan liner, the Coring Sleeve allows for a faster, easier installation of the secondary mortar bed.

Adjust the Coring Sleeve and cover to the appropriate bed thickness, and float the mortar flush with the sleeve/cover.

During final tile installation, remove the Finish Fixture, attach desired strainer and adjust to the right level and orientation for a perfect finish.

Waterproof pan liner should be certified/approved, and conform to ASTM D4551 for PVC, or ASTM D4068 for CPE

## Typical Installation with Liquid Waterproofing or Fabric-Bonded Sheet Liner



For shower floors using liquid waterproofing or a fabric-bonded sheet liner, the stainless steel clamping collar is fastened on the inside recess of the drain body.

This allows the Coring Sleeve and Finish Fixture to adjust completely flush with the drain base – perfect for a low-profile tile set in barrier-free showers or drains in wet rooms.

Install tile on the (liquid or sheet) waterproofing layer and adjust the Finish Fixture to the correct height and proper orientation for a perfect finish.

Fabric-bonded waterproof pan liner should be certified/approved, and conform to ANSI A118.10

Liquid-applied waterproof liner/membrane should be certified/approved, and conform to ANSI A118.10



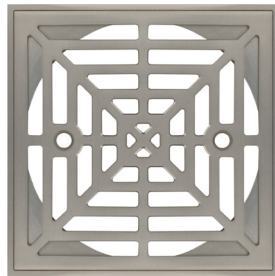
# Deluxe Finish Strainers for Use with shower pan drains ...

**Chrome**



821-2SCQPK2

**Satin Nickel**



821-2SKQPK2

**Matte Black**



821-2SMQPK2

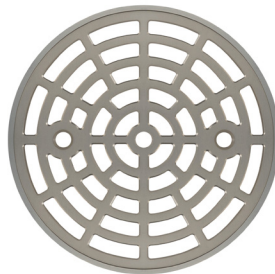
**Oil-Rubbed Bronze**



821-2SRBQPK2



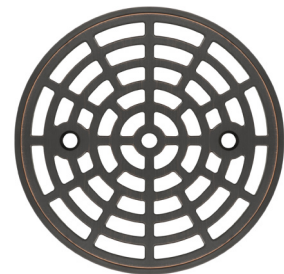
821-2SCRPK2



821-2SKRPK2



821-2SMRPK2



821-2SRBRPK2



822-S2A



822-S2P

## » Buying Information

ITEM NO.	DESCRIPTION	MIN. QTY.	CASE QTY.
<b>FINISHLINE™ SHOWER PAN DRAIN</b>			
822-S2A	Shower pan drain with 2" ABS Sch. 40 hub connection - includes rough-in sleeve & cover	6	6
822-S2P	Shower pan drain with 2" PVC Sch. 40 hub connection - includes rough-in sleeve & cover	6	6
<b>STRAINERS</b>			
821-2SCRPK2	Chrome Finish - Round ring/strainer with screws. 1/clamshell	1	50
821-2SCQPK2	Chrome Finish - Square ring/strainer with screws. 1/clamshell	1	50
821-2SKRPK2	Satin Nickel Finish - Round ring/strainer with screws. 1/clamshell	1	50
821-2SKQPK2	Satin Nickel Finish - Square ring/strainer with screws. 1/clamshell	1	50
821-2SMRPK2	Matte Black Finish - Round ring/strainer with screws. 1/clamshell	1	50
821-2SMQPK2	Matte Black Finish - Square ring/strainer with screws. 1/clamshell	1	50
821-2SRBRPK2	Oil-Rubbed Bronze Finish - Round ring/strainer with screws. 1/clamshell	1	50
821-2SRBQPK2	Oil-Rubbed Bronze Finish - Square ring/strainer with screws. 1/clamshell	1	50



# Sioux Chief



## WE ARE COMMERCIAL DRAINAGE!

Trench Drains - Floor Drains - Roof Drains - Fixture Carriers - Cleanouts



# 'New Product' Highlights

Products Cataloged for the First Time in Edition 32

## Freestanding Tub Drain



## HardHat™



ABS/PVC Test Caps

## Linear Shower Pan Drains



A Wide Variety of Styles

## Shower Arm Test Plug



## Shower Pan Drains



New DoubleDuty™ Design, New Strainer Finishes, New Tile-Insert Models

## Slab Shower Drains



## Specification Drainage

A Complete Line of Products



Floor Drains - Floor Sinks - Roof Drains - Cleanouts - Fixture Carriers

## Cleanout Plugs

Square Head - Polypro



# Freestanding Tub Drain



## Fast

Eliminates 'stub ups' – simple, rough-in installation

## Universal

Can be used with center and offset tub outlets

Choose brass or polypro tailpieces (provided)

## Compact

Fits inside tight spaces or joist cavities – perfect for new or remodel applications

Tub drains provide an easy way to connect the outlet of a freestanding tub to the drainage system through the subfloor



Supply

Drainage

Support

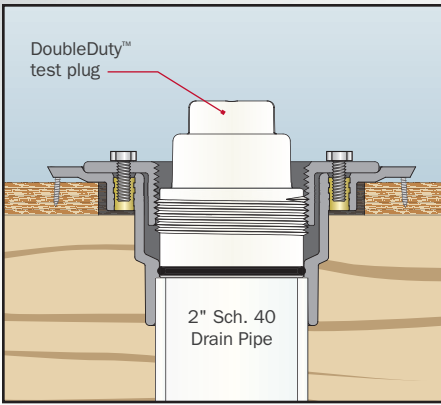
Specialties

[www.siouxchief.com](http://www.siouxchief.com)

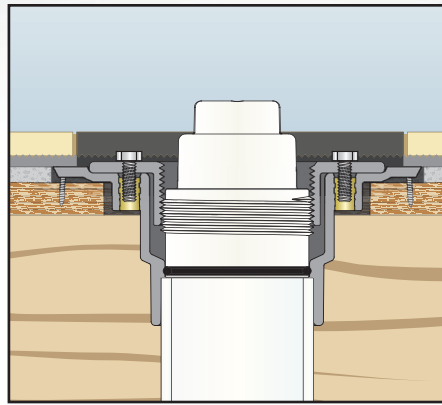
TAKE THE FIELD.



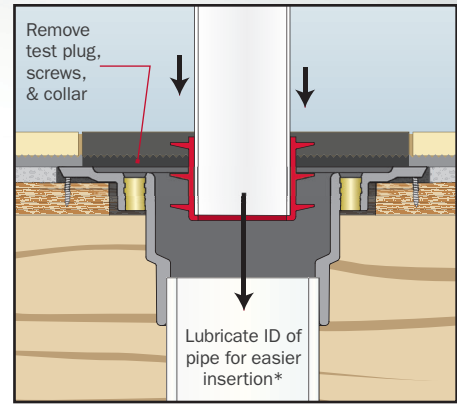




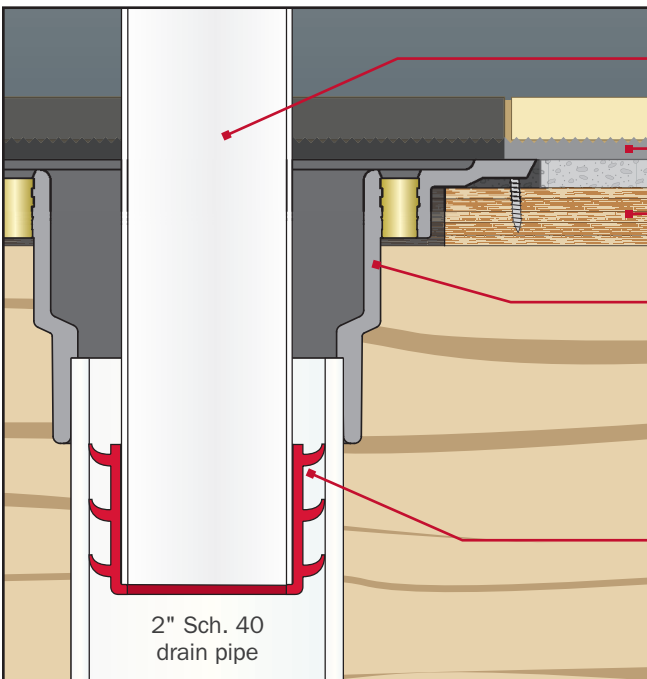
Set drain body and fasten to sub floor. Connect drain pipe and test using the DoubleDuty™ test plug (included).



Install tile/finishing as desired. The test plug can remain in place to protect drain line from construction debris.



Attach gasket and connect tailpiece to the tub outlet. Align with drain body and lower tub into place. The gasket pushes in to seal inside the 2" drain pipe.



Tubular tailpiece - 1 1/2" brass or poly  
Connect to tub outlet

Tile/thinset, or other finish floor layers

Subfloor

Drain body - ABS or PVC with  
2" Sch. 40 hub connection

Includes screws/collar for DoubleDuty™ test  
plug - Remove collar before lowering tub and  
tailpiece/gasket into place

Tailpiece gasket installs over end of brass  
or poly tailpiece. Gasket pushes in and  
seals inside drain pipe.

\* Lube is not required, but must be compatible with plastics if used.



819-2A



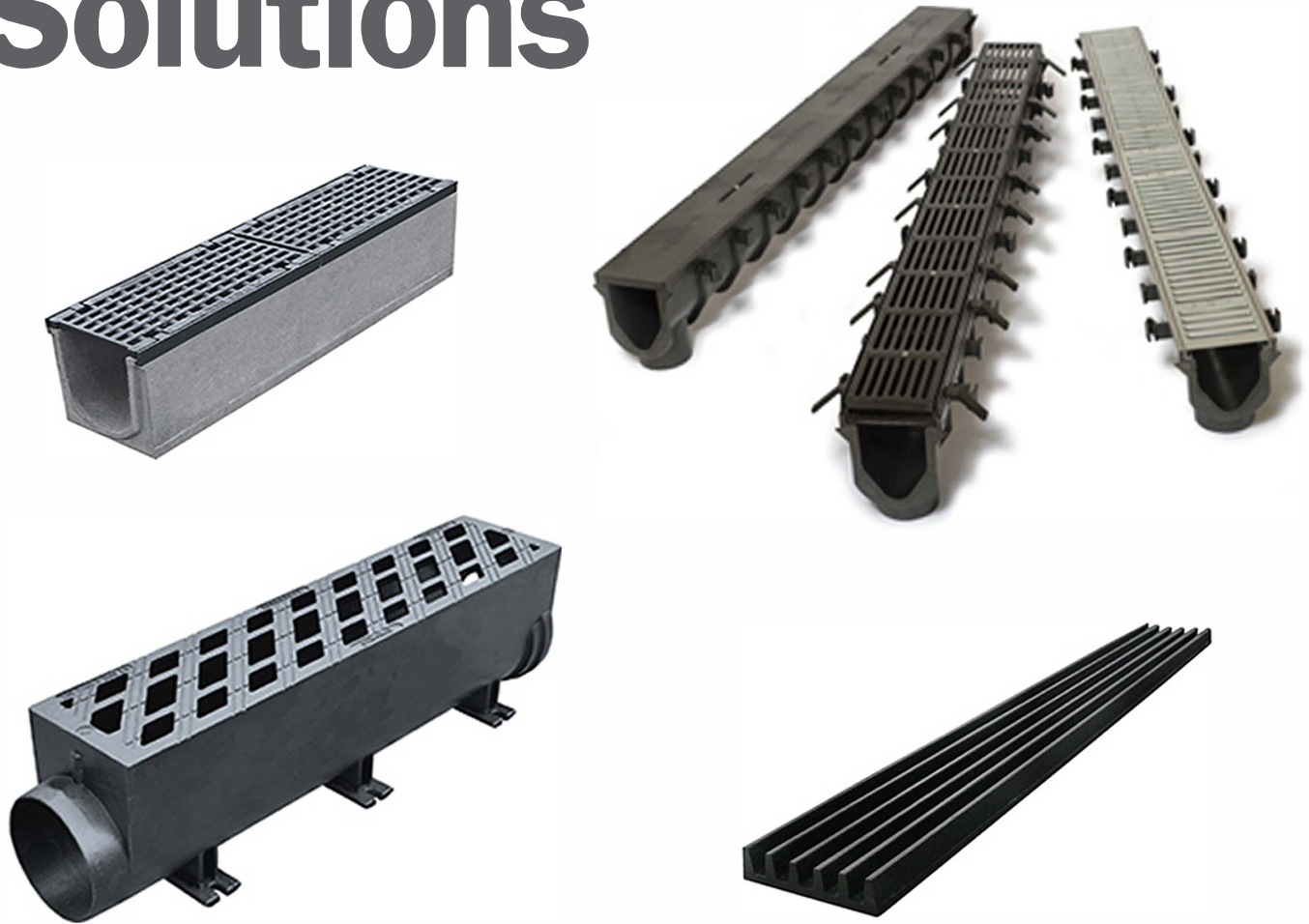
819-2P

### » Buying Information

ITEM NO.	DESCRIPTION	MIN. QTY.	CASE QTY.
<b>TUB DRAIN KIT</b>			
819-2A	ABS Freestanding Tub Drain Kit - includes drain body, test plug, brass/poly tailpiece, and tailpiece gasket	6	6
819-2P	PVC Freestanding Tub Drain Kit - includes drain body, test plug, brass/poly tailpiece, and tailpiece gasket	6	6



# Trench Drain Solutions



## Expanded Trench Drain Offering

- HDPE, Stainless Steel, Ductile Iron, and fiber reinforced concrete
- 4" thru 12" Widths
- Load Rating Capacities up to load class F

# 'New Product' Highlights

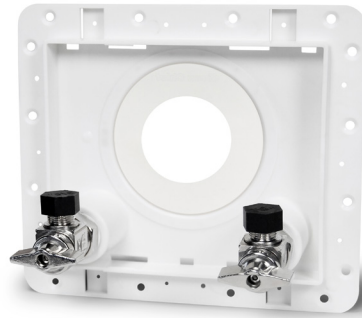
Products Cataloged for the First Time in Edition 32

## Multi-Port Tees



Brass & Poly  
for F1807 PEX & F1960 PEX

## OmniPanel™



Dual-Valve Access Panel

## Access Boxes Replaceable Valve Design



## OxBox™ Kitchen Access Box



## PowerPEX® F2159 Fittings



New & Expanded Offering

## PowerPEX® Tube



A Complete Line of PEX Tube  
Type-A & Type-B  
Coils & Sticks  
O<sub>2</sub>-Barrier

## PDQ™ Push Fittings



A Complete Line of Products



# 'New Product' Highlights

Products Cataloged for the First Time in Edition 32

## ProPlate™



Single-Valve Outlet Plate

## PowerPEX® F1960 Poly Fittings



## Thermal Expansion Relief Valves



## Thermostatic Mixing Valves



## Cross Adapters for Water Heaters



## Sillcocks



New Design - New Styles

## Cleanout Bushing with Nickel-Bronze Cover



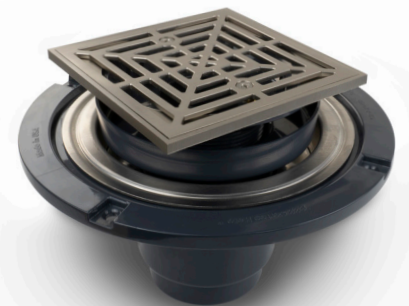
Inside Pipe Fit

## DeckAnchor™



Fixture Mounting Fitting

## FinishLine™ Shower Pan Drain



# 'New Product' Highlights

Products Cataloged for the First Time in Edition 32

## PowerBar™ Vent Loop Kit



## PipeDown™ Acoustical Clamps



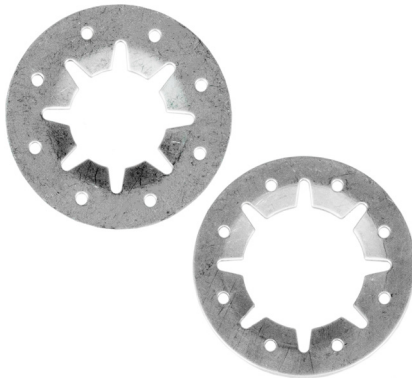
for PowerBar™ Brackets

## Simple Bend Support



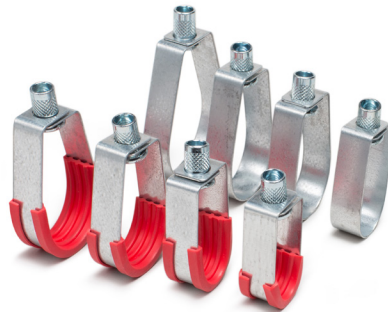
for PEX Tube

## StainlessStar™ Tube-Locking Push Nut



for Copper Tube

## Loop Hangers

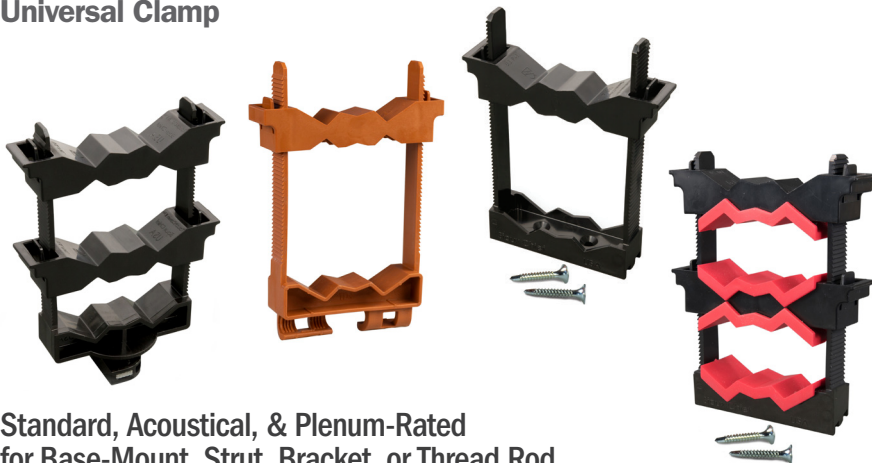


Standard & Acoustical

## TakeOff™ Pipe Support Block



## TD+™ Universal Clamp



Standard, Acoustical, & Plenum-Rated  
for Base-Mount, Strut, Bracket, or Thread Rod

## WiderSlider™



Galvanized Adjustable Bracket

# 'New Product' Highlights

Products Cataloged for the First Time in Edition 32

## PushTite™ Cast Iron



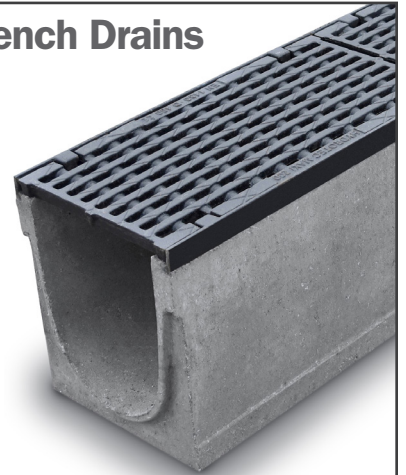
Gasket-Seal Closet Flange

## TrapShield™



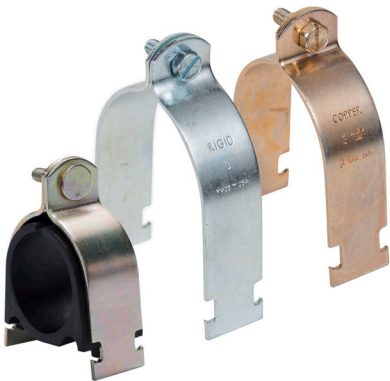
Trap Protection Device

## Trench Drains



New & Expanded Offering

## Strut Clamps



## TankBracket™ Expansion Tank Support



for Water Heater & Wall Mount

## MainBlock™



New Sizes

## PexChair™



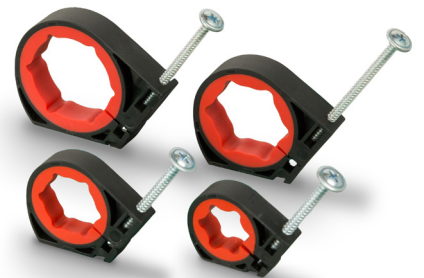
Slab Organizer for PEX

## PickUp Talon™



New Sizes

## PipeDown™



Acoustical PadLock™ Hangers



# Catalog Edition 32

▶▶ 'New Product' Highlights *Products Cataloged for the First Time in Edition 32*

## Add-A-Line™



New Design - New Styles

## Brass Ball Valves



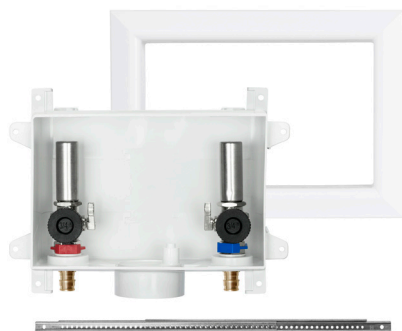
New Design - New Styles

## Cinch Clamps Stainless Steel



for F1807 PEX

## ClassicBox™



One-Piece Laundry  
Access Box

## Corrugated Stainless Steel Connectors



for Water Heater  
& Water Service

## IPS F438 CPVC



Fittings, Adapters  
& Connectors

## Fittings & Valves for PVC



## Pipe/Tube Insulation



A Complete Line of Products

## MiniRester™



New Designs  
New Styles

# 'New Product' Highlights

Products Cataloged for the First Time in Edition 32

## Tubular Products



A Full Line of Brass and Poly Tubular Products

## GripTip™ Tubular Test Nut



## FlowEasy™ Liquid Drain Cleaner



## Supply Stops & Supply Tubes



New & Expanded Offering

## Tubing & Hose



Vinyl & Polyethylene Tubing,  
a Variety of Hose, & Fuel Line

## Tubing/Hose Fittings



Compression, Flare, Brass/Nylon Thread, Pipe Nipples,  
Poly Push Fittings, Hose Barb Fittings, Garden Hose Fittings,  
Hose Clamps, Valves, Pool Hose Fittings